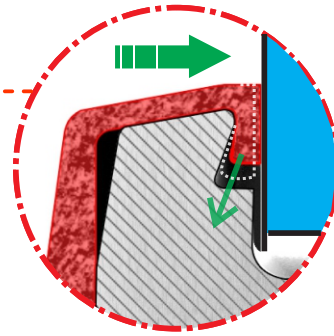
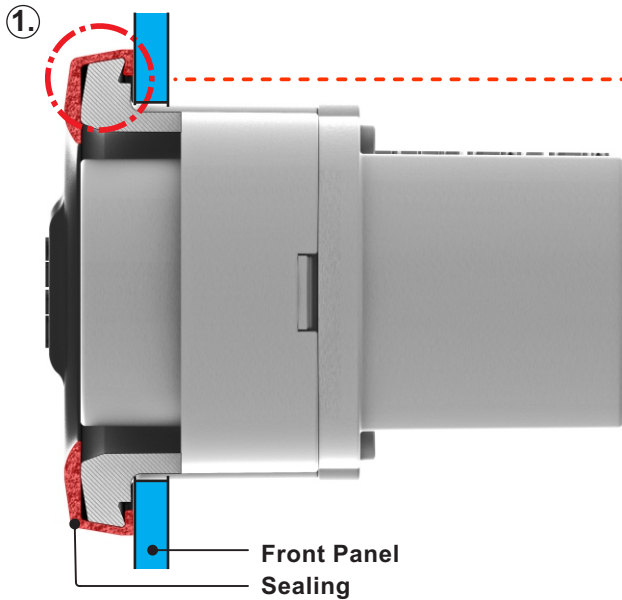




# ASSEMBLY INSTRUCTION

etherCON | CAT6A Chassis Connector  
NE8FDX-P6-W with rubber sealing - IP65

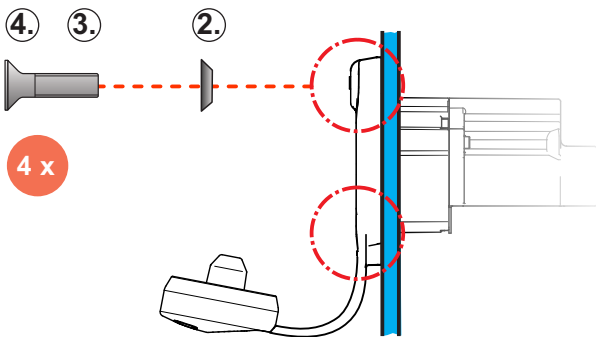
## ASSEMBLY



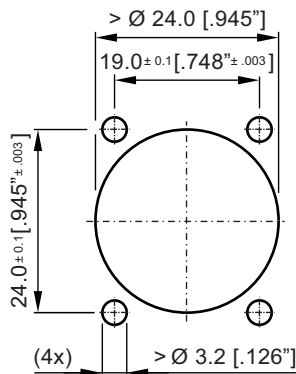
Flange shape ensures proper sealing.

### ATTENTION:

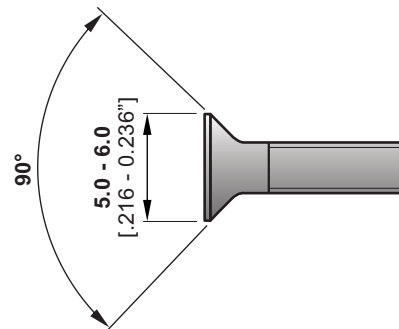
- ① Sealing must be positioned well
- ② Position the supplied washers
- ③ Diameter of countersunk screw head min. 5.0 mm and max. 6.0 mm\*
- ④ Maximum allowable torque 0.4 Nm



### Panel Cutout (Rear Side)



### \*Countersunk screw



NEUTRIK AG	LI	T: +423/237 24 24	F: +423/232 53 93	NEUTRIK France	FR	T: +33 1/4131 6750	F: +33 1/4131 0511
NEUTRIK USA Inc.	USA	T: +1 704/972 3050	F: +1 704/438 9202	NEUTRIK Tokyo Ltd.	JP	T: +81 3/3663 4733	F: +81 3/3663 4796
NEUTRIK (UK) Ltd.	UK	T: +44 1983/811 441	F: +44 1983/811 439	NEUTRIK Hong Kong Ltd.	HK	T: +852/2687 6055	F: +852/2687 6052
NEUTRIK Vertriebs GmbH	DE/NL/AT/DK	T: +49 8131/280 890	F: +49 8131/280 830	NEUTRIK India Pvt. Ltd.	IND	T: +91/982 05 43 424	F: +91/22 26163 540

Draft. Nr.: BDA 442-2 | Update: 23.08.2017 | Data subject to change without prior notice. ©2017 NEUTRIK®. ALL RIGHTS RESERVED. NEUTRIK® is a registered trademark.

www.neutrik.com

**NEUTRIK®**