

CAMERA CONNECTOR SYSTEM

# INNOVATIVE SOLUTIONS

DRAGONFLY

opticalCON®



**NEUTRIK®**



# DRAGONFLY

opticalCON®



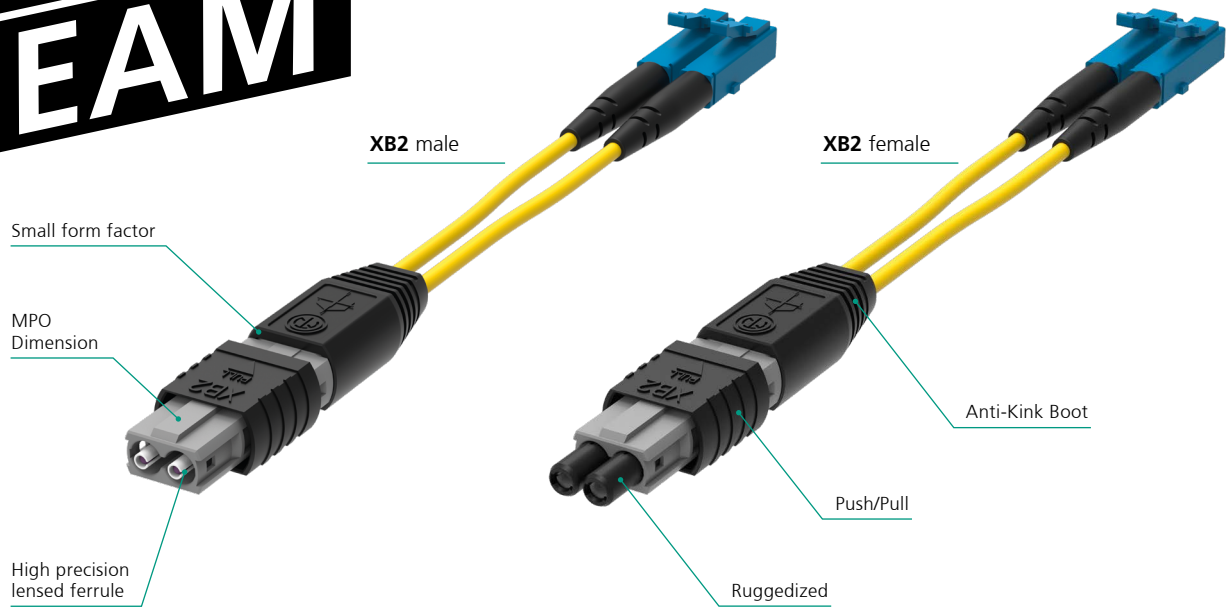


# CAMERA CONNECTOR

Neutrik's new fiber optic connector series offers advanced lens technology for the Broadcast and AV Market. DRAGONFLY is more robust, reliable and easier to maintain than common hybrid camera signal transmission systems. With technology based on fiber lenses and fusion splicing, Neutrik's DRAGONFLY achieves an extremely robust signal with minimal loss. opticalCON DRAGONFLY combines all the advantages of lens technology and makes it competitive with physical contact connectivity.

The DRAGONFLY connector offers long life with very low maintenance. It can also withstand harsh and demanding environments and is dust and moisture insensitive. Additionally, DRAGONFLY is robust against vibration and therefore has low potential for damage. And if there ever is a problem, DRAGONFLY is field repairable. With this new technology, DRAGONFLY provides a complete solution for the Broadcast and AV Market.

# CORE TECHNOLOGY EXPANDED BEAM

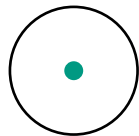


DRAGONFLY is based on the patented XB2-Technology. Its innovative fusion splice high-performance lens transmits UHD 4K and 8K signals with very low loss as the signal surface

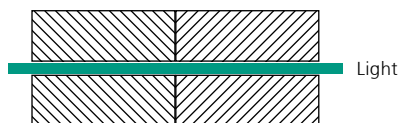
of the XB2 lens is 322 times bigger than physical contact surfaces. This further results in low insensitivity against dust and dirt.

## STANDARD PHYSICAL CONTACT

### Single Mode

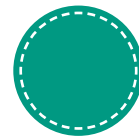


$\varnothing = 9 \mu\text{m}$   
 $A = 64 \mu\text{m}^2$   
 Factor A = 1



## XB2 LENSED SOLUTION

### Single Mode



$\varnothing = 162 \mu\text{m}$   
 $A = 20.612 \mu\text{m}^2$   
 Factor A = 322



DRAGONFLY is a ruggedized and low maintenance hybrid cable connector for indoor and outdoor use.

#### **INNOVATIVE AND FUTURE PROOF**

- fusion splice technology – field repairable
- High performance – low loss
- Consistent quality
- 100% reliable even at extreme temperature fluctuations
- Permanent connection

#### **SIMPLE AND EFFICIENT**

- hybrid connection – power and data over one connection
- Low maintenance interval
- Easy switching to DRAGONFLY – fits into standardized cutouts
- Easy cleaning with compressed air and water
- Competitive price

#### **ROBUST AND RELIABLE**

- Extremely robust system
- Reliable push/pull locking mechanism
- Dust and waterproof according to IP68
- Proven anti-kink boot design
- Long life – 10.000 mating cycles



# FEATURES AND BENEFITS

Low maintenance and easy to clean

High performance – low loss



Fusion splice technology – field repairable

hybrid connection – power and data



Dust and waterproof according to IP68 in mated condition

Reliable push/pull locking mechanism



Long life – 10 000 mating cycles

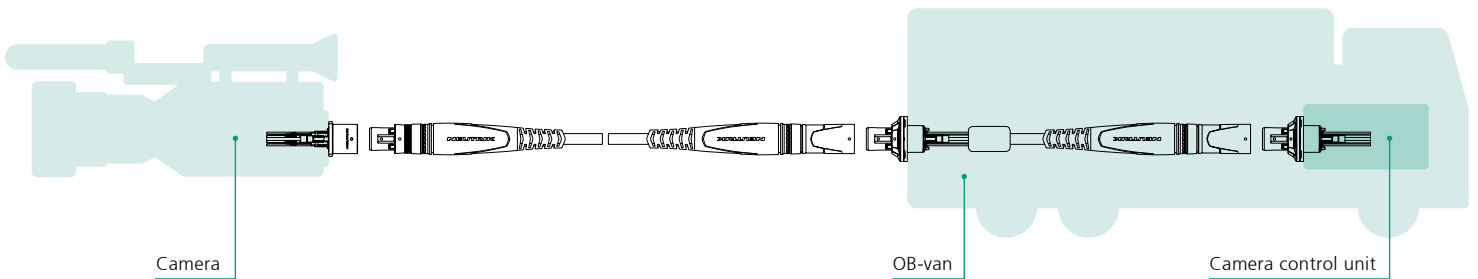
Proven anti-kink boot design



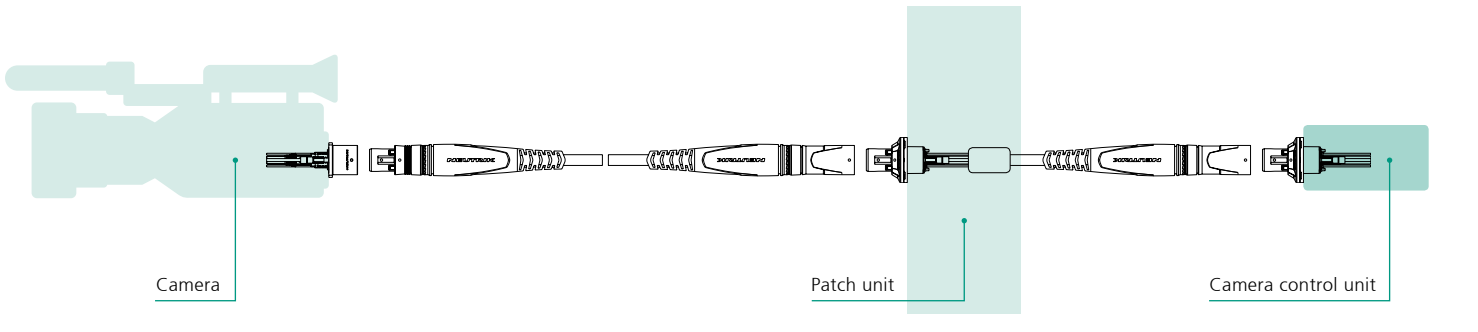
## APPLICATION

The opticalCON DRAGONFLY system is the perfect solution for live broadcast productions.

## OB CONFIGURATION



## STUDIO CONFIGURATION

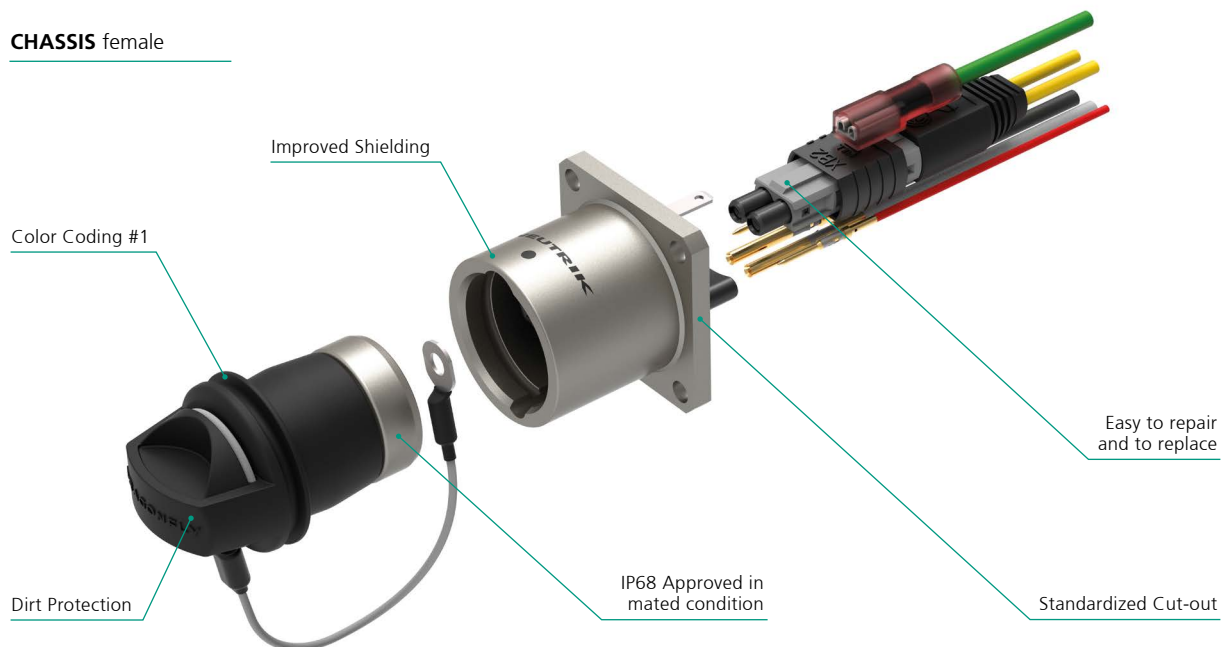


# CONCEPT AND DESIGN

## CABLE CONNECTOR male

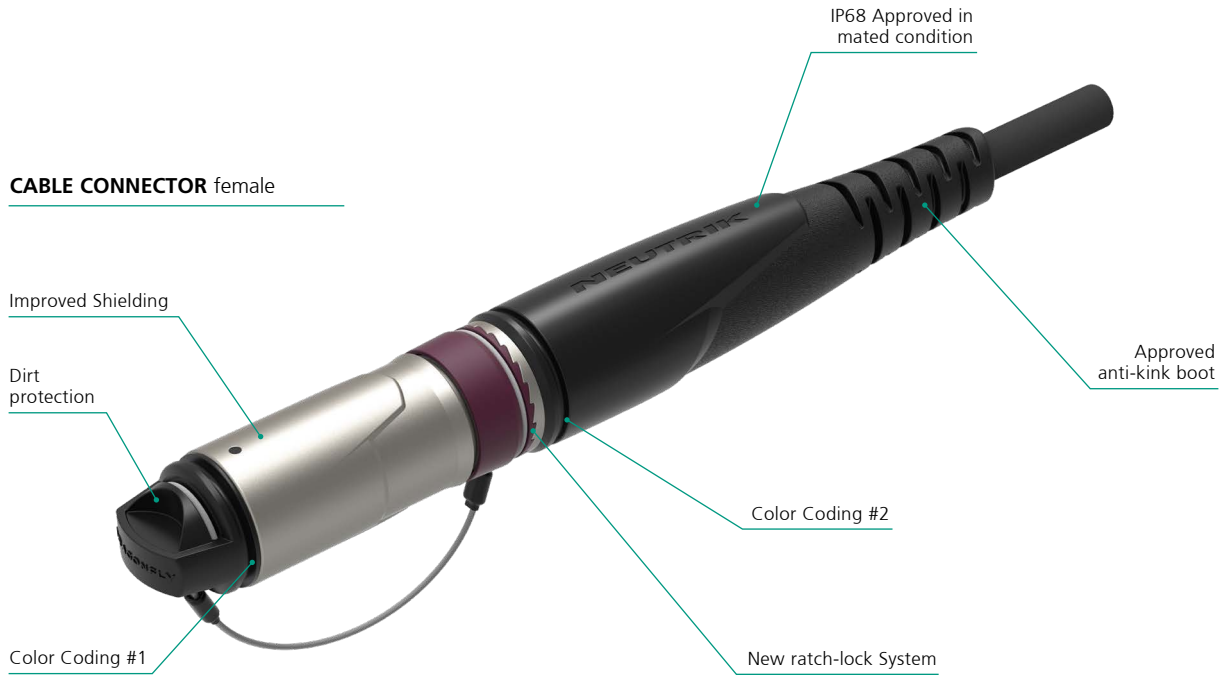


## CHASSIS female

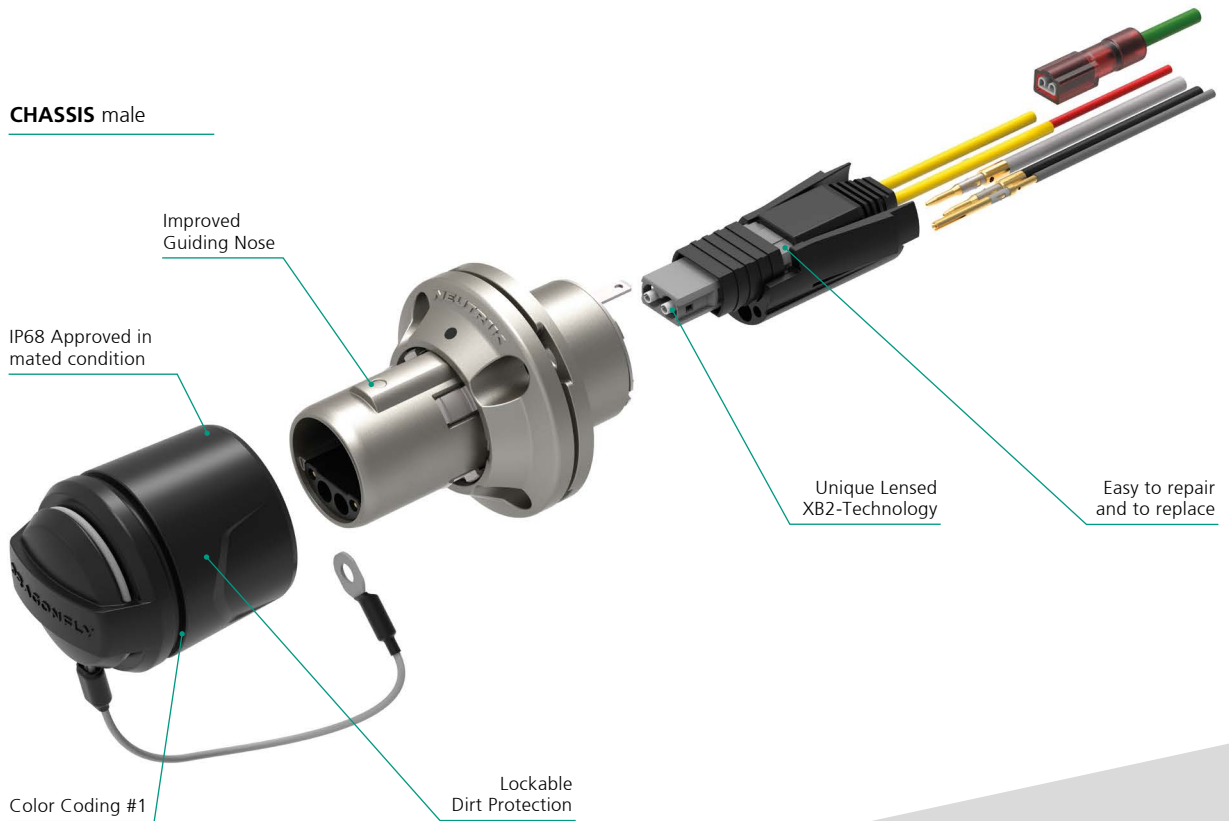




**CABLE CONNECTOR female**



**CHASSIS male**



# TECHNICAL DATA

## OPTICAL SPECIFICATIONS

|                        |   |
|------------------------|---|
| Insertion Loss         | Typical 0.6dB per connection / Maximum 1dB per connection |
| Return Loss            | Typical 45 dB / Minimum 40dB                              |
| Wavelengths            | SM: 1310 nm / 1550 nm                                     |
| Compatible fiber types | SM: 9/125-G657A2  |
| Operation Temperature  | -40 °C to +75 °C  |
| Termination            | Fusion Splice   |
| WDM Compatibility      | Yes   |

## MECHANICAL SPECIFICATIONS – DRAGONFLY

|                      |   |
|----------------------|---|
| Strain relief        | > 500 N   |
| Insertion force      | < 45 N  |
| Withdrawal force     | < 45 N  |
| Locking device       | Push / Pull                                       |
| Locking force        | > 900 N   |
| Lifetime             | 10.000 mating cycles                              |
| Anti-Kink protection | Identical to proven opticalCON ADVANCED           |
| IP Rating            | IP68 (with Sealing Kit SCXP-*) in mated condition |
| Wiresize             | 2 x 24AWG + 4 x 20AWG                             |
| Cable                | Standard SMPTE 311 Cable ø 9.2 mm                 |

## ELECTRICAL SPECIFICATIONS – DRAGONFLY

|                            |                   |
|----------------------------|-------------------|
| Rated Current – power      | 10A               |
| Rated Current – sense      | 1A                |
| Rated Voltage – power      | 600 V             |
| Rated Voltage – sense      | 42 V ac / 62 V dc |
| Contact resistance         | < 7 mΩ            |
| Transfer resistance ground | < 10 mΩ           |
| Insulation Resistance      | > 10 GΩ           |



# DRAGONFLY

opticalCON®

### LIECHTENSTEIN (HEADQUARTERS)

Neutrik AG, Im alten Riet 143,  
9494 Schaan, Liechtenstein  
T +423 237 24 24, F +423 232 53 93, neutrik@neutrik.com

### CHINA

Ningbo Neutrik Trading Co., Ltd., Shiqi Street, Yinxian Road West  
Fengjia Villiage, Hai Shu District, Ningbo, Zhejiang, 315153  
T +86 574 88250833, sales@neutrik.com.cn

### HONG KONG

Neutrik Hong Kong LTD., Suite 18,  
7th Floor Shatin Galleria Fotan, Shatin  
T +852 2687 6055, sales@neutrik.com.hk

### USA

Neutrik USA Inc., 4115 Taggart Creek Road,  
Charlotte, North Carolina, 28208  
T +1 704 972 30 50, info@neutrikusa.com

### GERMANY /NETHERLANDS /DENMARK /AUSTRIA

Neutrik Vertriebs GmbH, Felix-Wankel-Strasse 1,  
85221 Dachau, Germany  
T +49 8131 28 08 90, neutrik@neutrik.de

### JAPAN

Neutrik Limited, Yusen-Higashinohonbashi-Ekimae Bldg., 3-7-19  
Higashinohonbashi, Chuo-ku, Tokyo 103  
T +81 3 3663 47 33, mail@neutrik.co.jp

### INDIA

Neutrik India Pvt. Ltd., Level 3, Neo Vikram, New Link Road,  
Above Audi Show Room, Andheri West, Mumbai, 400053  
T +91 982 05 43 424, anklesaria@neutrik.com

### ASSOCIATED COMPANIES

Contrik AG, Steinackerstrasse 35, 8902 Urdorf, Switzerland  
T +41 44 736 50 10, contrik@contrik.ch

### FRANCE

Neutrik© France, 52 Rue d'aguessseau,  
92100 Boulogne  
T +33 1 41 31 67 50, info@neutrik.fr

### GREAT BRITAIN

Neutrik (UK) Ltd., Westridge Business Park, Cothey Way Ryde,  
Isle of Wight PO33 1 QT  
T +44 1983 811 441, sales@neutrik.co.uk

DRAGONFLY opticalCON® - 201905 V2 - NF25 - Data subject to change without prior notice. © 2019 NEUTRIK®.  
NEUTRIK®, opticalCON® are registered trademarks of NEUTRIK AG. ALL RIGHTS RESERVED.



[www.neutrik.com](http://www.neutrik.com)