

AUDIO NETWORK SOLUTIONS



NA2-10-DPRO
NA2-10-DLINE
NPS-30W





AUDIO NETWORK SOLUTIONS

CONNECT YOUR LEGACY AUDIO EQUIPMENT TO THE DANTE® WORLD

- Connect analog audio equipment to a Dante® network
- Heavy duty adapters for rugged stage conditions
- Lockable audio and network connections
- Connect analog or digital signals to a Dante® network
- Feed non Dante® ready amplifiers, speakers or mixing desks with signals from the Dante® network
- Different mounting options (rack, floorbox, table mounting, truss)
- Requires a PoE switch or a PoE injector
- AES67 compliant

NA2-IO-DPRO

The NA2-IO-DPRO is a 2IN, 2OUT breakout box for mic, line, AES/EBU signals. It features high-quality microphone preamps and 2 Dante® ports for either redundant setup or daisy chaining. There are several remote control options available.



NA2-IO-DLINE

The NA2-IO-DLINE is an end-of-network device. It is a breakout box which allows 2 Line-IN, 2 Line-OUT signals to be integrated into a Dante® network.



NPS-30W

The NPS-30W is a Gigabit Power over Ethernet Supply with 30 W PoE budget. It is a passive power supply that delivers power at all times with no requirement for power negotiation.

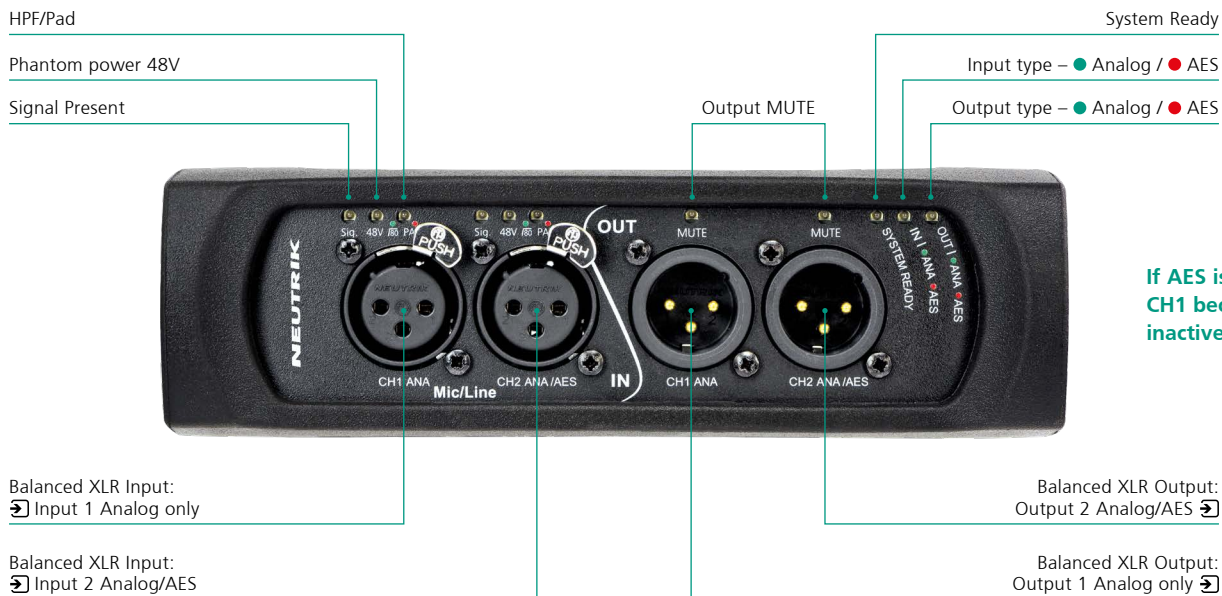


All devices are equipped with lockable connectors and, together with the removable rubber protection, offer a reliable solution for tough stage conditions. With optional mounting brackets or a rack panel, the devices can be mounted below tables, in floor boxes, racks or on a truss.

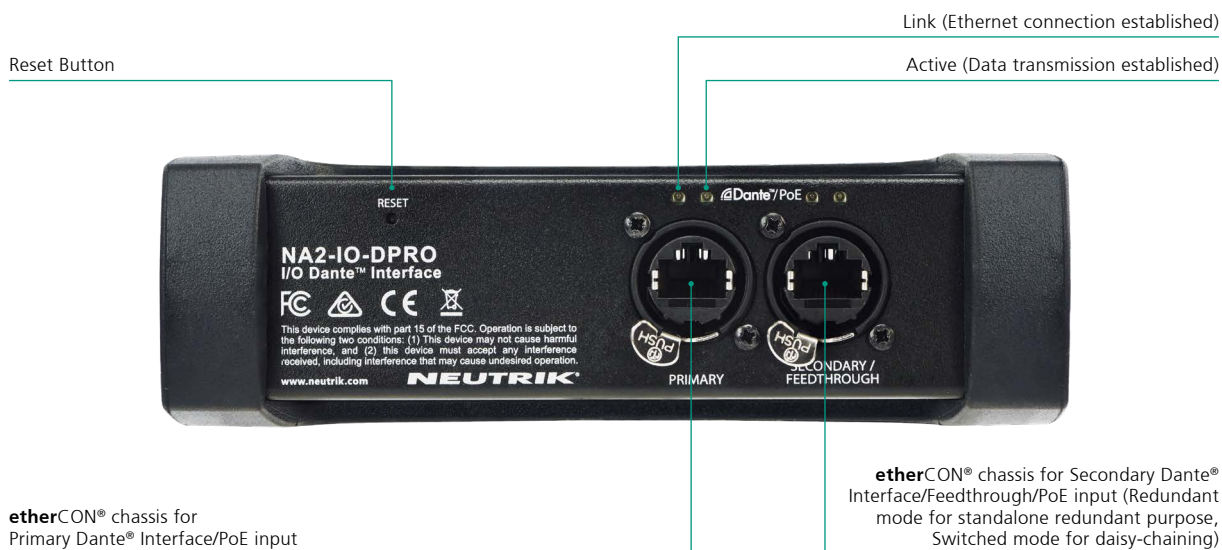
NA2-IO-DPRO

MIC, LINE, AES/EBU TO DANTE® INTERFACE

OVERVIEW FRONT



OVERVIEW REAR

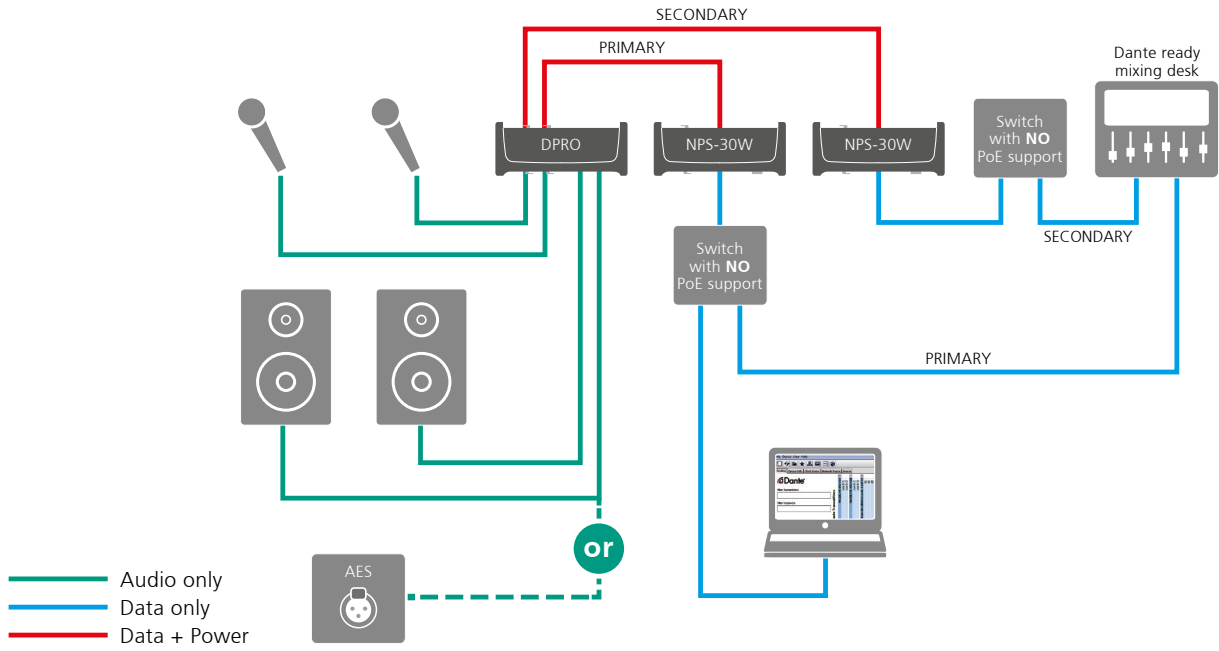


IMPORTANT

- Requires a Power over Ethernet switch or a PoE injector (802.3 af/at/bt)
- Please refer to the manual for redundant power setups

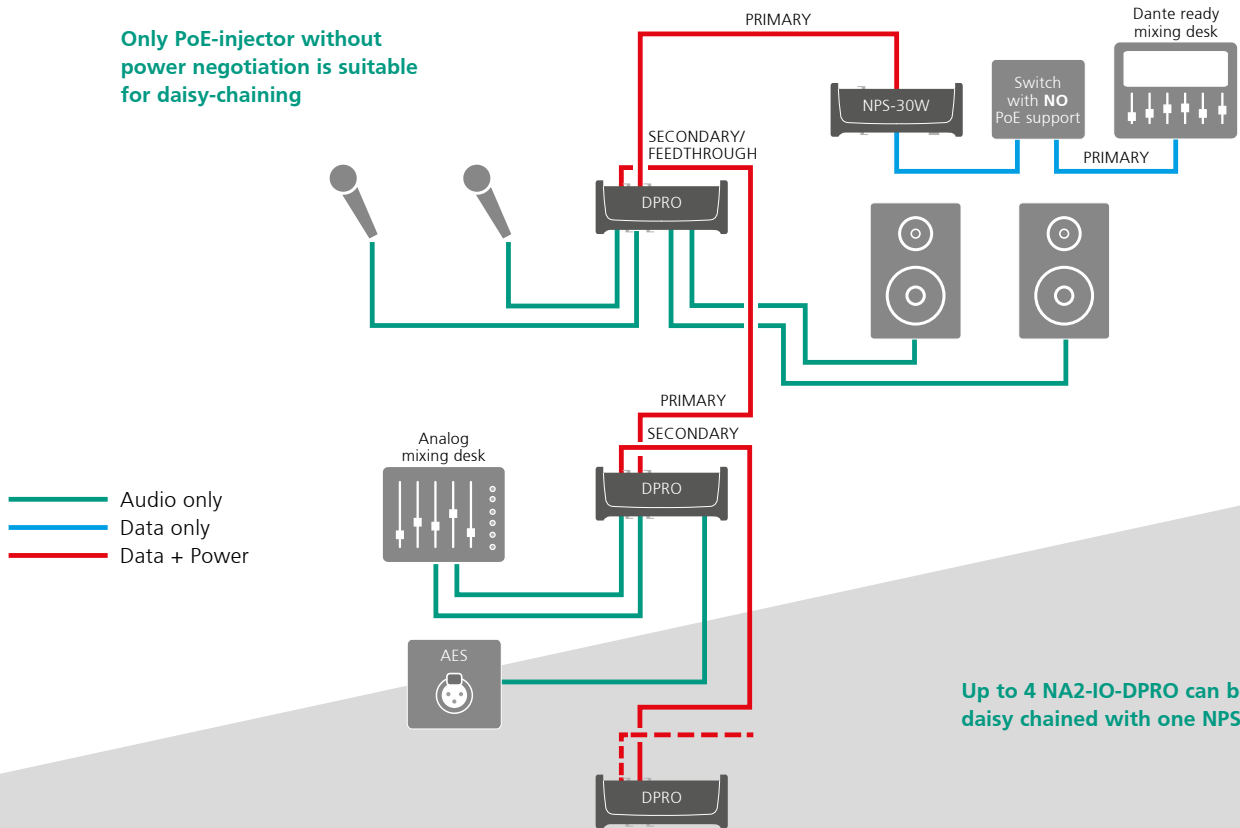


REDUNDANT MODE



SWITCHED MODE

Only PoE-injector without power negotiation is suitable for daisy-chaining



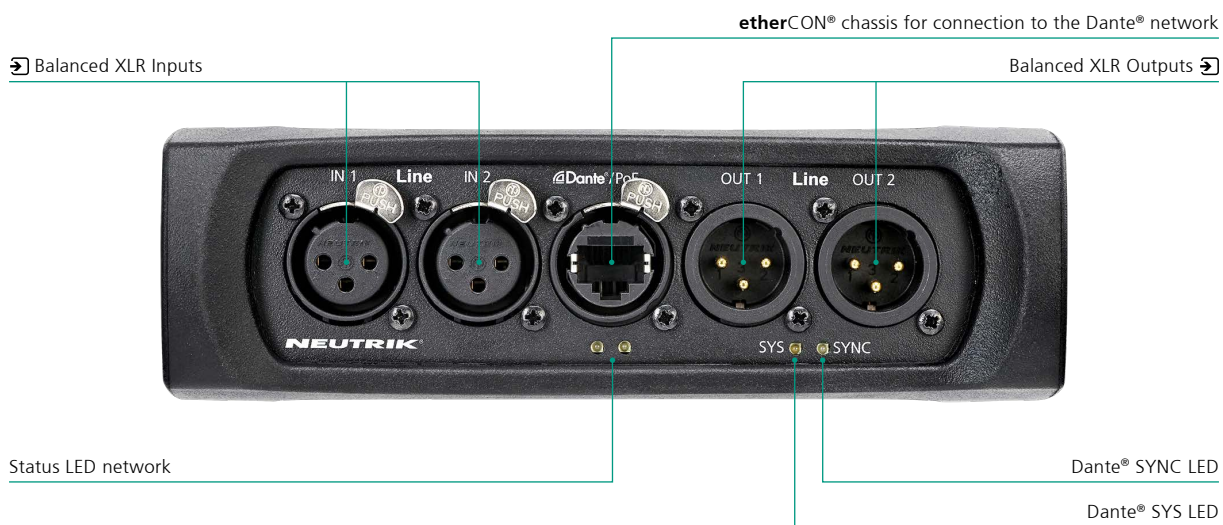
Up to 4 NA2-IO-DPRO can be daisy chained with one NPS-30W.

NA2-IO-DLINE

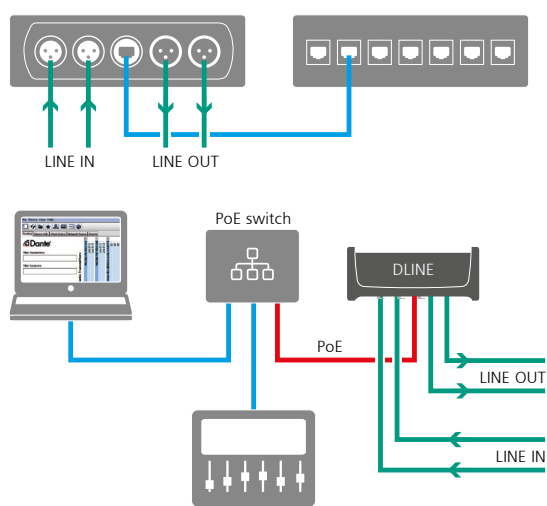
LINE I/O TO DANTE® INTERFACE



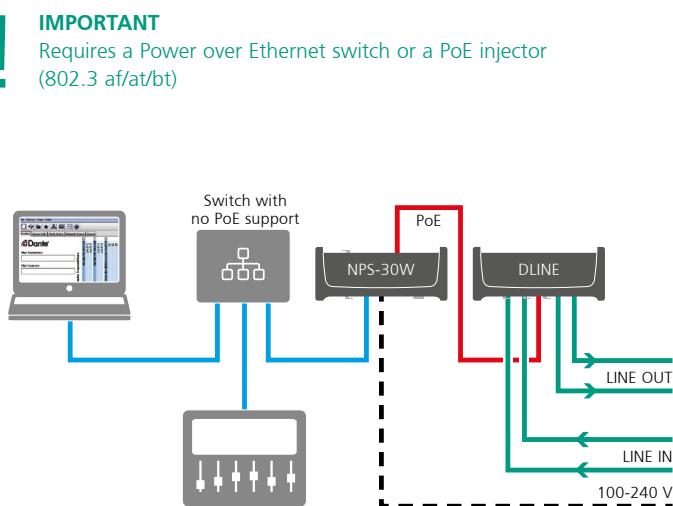
OVERVIEW FRONT



POWER SETUP



or

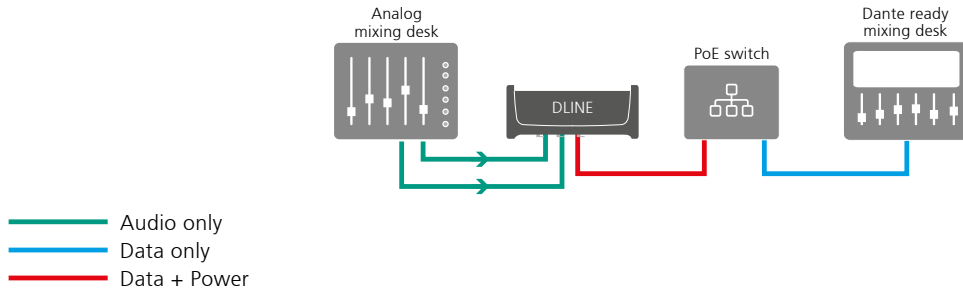


IMPORTANT
Requires a Power over Ethernet switch or a PoE injector (802.3 af/at/bt)

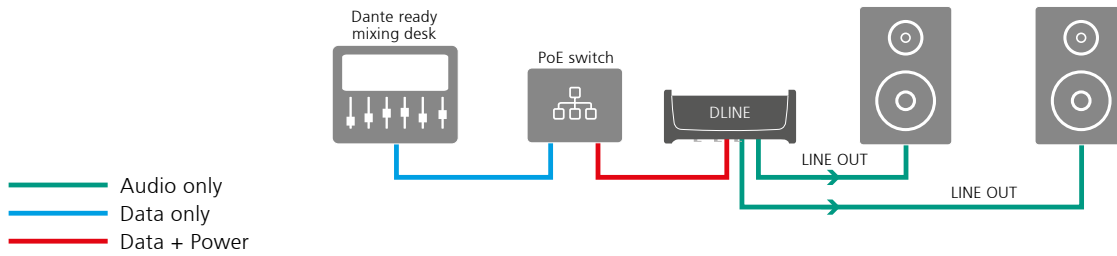
- Audio only
- Data only
- Data + Power
- Power only



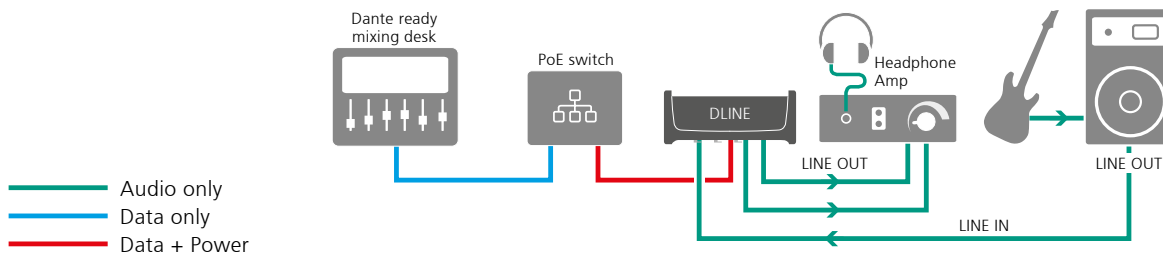
INPUT APPLICATION



OUTPUT APPLICATION



INPUT & OUTPUT APPLICATION (MIXED MODE)



NPS-30W POWER OVER ETHERNET SUPPLY

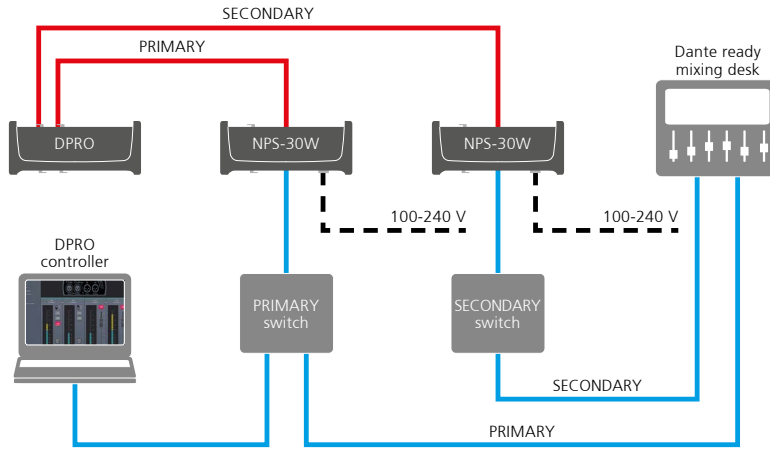
OVERVIEW FRONT



OVERVIEW REAR



POWER AND DATA REDUNDANCY (WITH NEUTRIK NETWORK DEVICES)

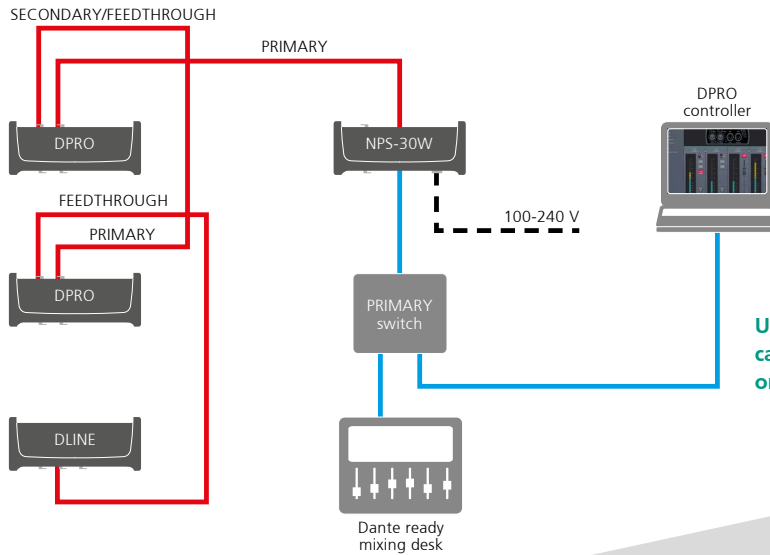


- Data only
- Data + Power
- - - Power only

IMPORTANT

- For Power + Data redundancy, 2 x NPS-30W are required.
- Do not combine NPS-30W with other PoE injectors, as this can lead to damage to the powered device, due to different pin assignment.

DAISY CHAINING (WITH NEUTRIK NETWORK DEVICES)



Up to 4 NA2-IO-DPRO can be daisy chained with one NPS-30W PoE supply

- Data only
- Data + Power
- - - Power only

APPLICATIONS





REMOTE CONTROL

The NA2-IO-DPRO can be remotely controlled with the DPRO controller software or the control plugin for the Q-SYS platform.

For further applications, a complete AES70 API is available on request.

DPRO CONTROLLER SOFTWARE

The DPRO controller gives the user not only remote control options such as level, mute, gain, phantom power, input signal and lo-cut, but also the possibility to change the device's network settings and to update the firmware.



DPRO Controller App is available for Windows and macOS, free of charge.



APP REQUIREMENTS

- RAM min 2 GB
- Display resolution > 1280 x 1024 pixel
- Windows 7 or later
- macOS 10.12 or higher

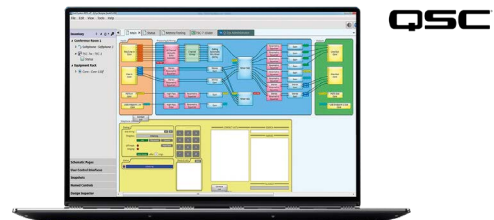
CONTROL PLUGIN FOR Q-SYS PLATFORM

The NA2-IO-DPRO offers the option to operate in AES67 mode. The addition of AES67 networking enables the integration of the DPRO within the Q-SYS platform.

As QSC introduced software based Dante for the Core 110f in Q-SYS Designer from V8.3.1, a direct routing of single channels is possible, without using AES67.

There is a QSC approved control plugin available by Neutrik to remote control the Dante network device within the Q-SYS environment. Designers can now fully integrate the DPRO into the Q-SYS designer and perform various controls such as gain, phantom power, lo-cut, mute and mic/line switch.

This is a convenient solution to system designers for the widely adopted QSC environment!



NA2-IO-DPRO

TECHNICAL DATA



GENERAL SPECIFICATIONS

Channel	2 INPUT (Line, Mic, AES/EBU)	Bit depth	16, 24 and 32 bit
	2 OUTPUT (Line Level, AES/EBU)	Latency	based on user selection; min. 0,25 ms (Dante®)
Supported sampling rates	44.1 / 48 / 88.2 / 96 kHz	Ethernet connection	1.000 BASE-T (supporting PoE)

ELECTRICAL DATA

Power consumption	< 6 Watt	Power supply	PoE (Power over Ethernet) switch or PoE midspan power injector (according to IEEE 802.3 af/at/bt)
-------------------	----------	--------------	---

Analog Input

Equivalent Input Noise	-128 dBu (67 dB Gain); A-Weighted	THD+N:	< 0.005% (20 Hz to 20 kHz, +4 dBu)
Gain Hub (3dB Steps)	0 - 67 dB	Dynamic Range:	>112 dB, BW 22.4 kHz, A-Weighted (Input Gain = min.)
Max. Input Level	+ 24 dBu (PAD enabled) + 8 dBu (PAD disabled)	SNR:	> 112 dB, BW 22.4 kHz, A-Weighted
Input Impedance	> 7.5 k Ω balanced	Crosstalk:	- 100 dB, adjacent INPUT / OUTPUT channels (Input Gain = min.)
Frequency Response	20 Hz to 20 kHz (\pm 0.5 dB)		

Analog Output

Max. Output Level	+ 24 dBu	THD+N:	< 0.005% (20 Hz to 20 kHz, +4 dBu)
Output Impedance	< 150 Ω balanced	Dynamic Range:	> 112 dB, BW 22.4 kHz, A-Weighted
Residual output noise	- 88 dBu, A-Weighted	SNR:	> 112 dB, BW 22.4 kHz, A-Weighted
Frequency Response	20 Hz to 20 kHz (\pm 0.5 dB)	Crosstalk:	- 100 dB, adjacent INPUT / OUTPUT channels, Input Gain = Min.

MECHANICAL

Weight	0,53 kg / 1.17 lbs		
Dimensions	l: 164 mm / 6.4 inches	Dimensions	l: 151 mm / 5.9 inches
with rubber protection	w: 82 mm / 3.2 inches	without rubber protection	w: 66 mm / 2.6 inches
	h: 51 mm / 2.0 inches		h: 41 mm / 1.6 inches

NA2-IO-DLINE

TECHNICAL DATA



GENERAL SPECIFICATIONS

Channel	2 INPUT (Line Level)	Bit depth	16, 24 and 32 bit
	2 OUTPUT (Line Level)	Latency	based on user selection 1 ms (default)
Supported sampling rates	44.1 / 48 / 88.2 / 96 kHz	Ethernet connection	100 BASE-TX (supporting PoE)

ELECTRICAL DATA

Power consumption	< 2 Watt	Power supply	PoE (Power over Ethernet) switch or PoE midspan power injector (according to IEEE 802.3 af/at/bt)
-------------------	----------	--------------	---

Analog Audio Input

Input impedance	6.6 kOhm	Signal to Noise Ratio	> 100 dB
Input Level (Balanced)	22 dBu max.	THD + Noise	< 0.01% @ + 4 dBu, A-Weighting
Frequency Response	20 Hz to 20 kHz (+/- 0.5 dB)	Crosstalk	< -80 dB @ 20 kHz
Dynamic Range	> 100 dB		

Analog Audio Output

Output impedance	< 800 Ohm	Signal to Noise Ratio	> 100 dB
Output Level (Balanced)	16 dBu max.	THD + Noise	< 0.01% @ + 4 dBu, A-Weighting
Frequency Response	20 Hz to 20 kHz (+/- 0.5 dB)	Crosstalk	< -80 dB @ 20 kHz
Dynamic Range	> 100 dB		

MECHANICAL

Weight	0,44 kg / 1.0 lbs		
Dimensions	l: 164 mm / 6.4 inches	Dimensions	l: 151 mm / 5.9 inches
with rubber protection	w: 82 mm / 3.2 inches	without rubber protection	w: 66 mm / 2.6 inches
	h: 51 mm / 2.0 inches		h: 41 mm / 1.6 inches

NPS-30W

TECHNICAL DATA



ELECTRICAL DATA

Input voltage range	100 – 240 VAC	Output voltage	48 VDC
Input frequency range	50 – 60 Hz	Output max. current	0.63 A
Input max. current	0.75 A	Rated Power	30 W

MECHANICAL

Weight	0,53 kg / 1.17 lbs		
Dimensions	l: 164 mm / 6.4 inches	Dimensions	l: 151 mm / 5.9 inches
with rubber protection	w: 82 mm / 3.2 inches	without rubber protection	w: 66 mm / 2.6 inches
	h: 51 mm / 2.0 inches		h: 41 mm / 1.6 inches

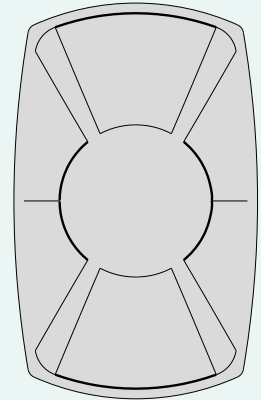
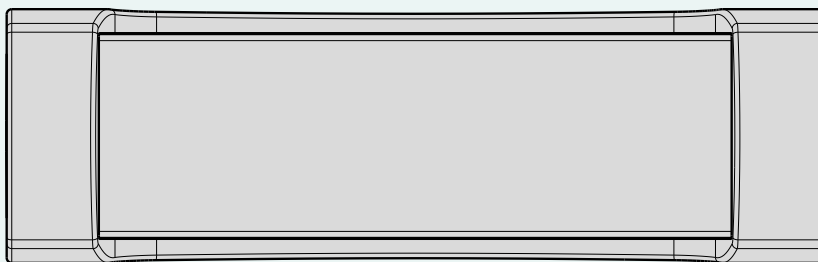
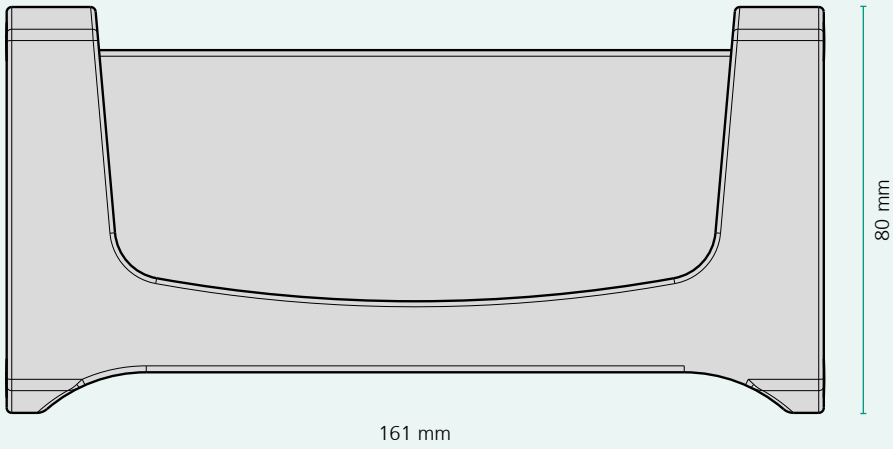
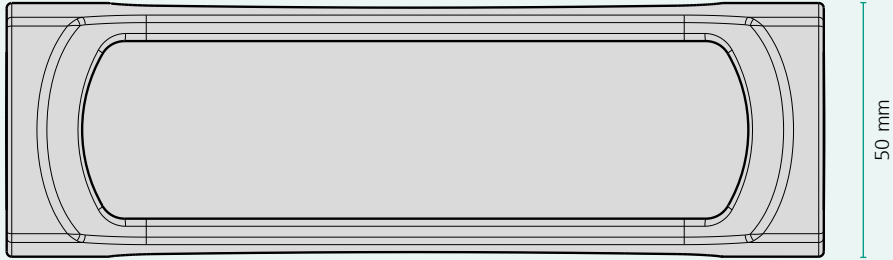
OPERATING ENVIRONMENT INDOOR

Operating temperature	-5°C to +50°C	Storage temperature	-40°C to +100°C
-----------------------	---------------	---------------------	-----------------

ORDERING INFORMATION

NPS-30W-B	NPS-30W + power cable (3 m; NEMA5 / Plug Type B)	
NPS-30W-F	NPS-30W + power cable (3 m; Schuko / Plug Type F)	
NPS-30W-G	NPS-30W + power cable (3 m; BS1363 / Plug Type G)	
NPS-30W-J	NPS-30W + power cable (3 m; SEV1011 / Plug Type J)	
NPS-30W-WOC	NPS-30W without power cable	

MECHANICAL DIMENSIONS



MOUNTING ACCESSORIES

NA-MB-KIT

Mounting bracket kit for NA2-IO-DLINE / NA2-IO-DPRO / NPS-30W



NA-TM-KIT

Truss mount kit for NA2-IO-DLINE / NA2-IO-DPRO / NPS-30W



NRP1RU-2A

1 RU 19" RACK unit for NA2-IO-DLINE / NA2-IO-DPRO / NPS-30W





AUDIO NETWORK SOLUTIONS

LIECHTENSTEIN (HEADQUARTERS)

Neutrik AG, Im alten Riet 143,
9494 Schaan, Liechtenstein
T +423 237 24 24, F +423 232 53 93, neutrik@neutrik.com

CHINA

Ningbo Neutrik Trading Co., Ltd., Shiqi Street, Yinxian Road West
Fengjia Villiage, Hai Shu District, Ningbo, Zhejiang, 315153
T +86 574 88250833, sales@neutrik.com.cn

HONG KONG

Neutrik Hong Kong LTD., Suite 18,
7th Floor Shatin Galleria Fotan, Shatin
T +852 2687 6055, sales@neutrik.com.hk

JAPAN

Neutrik Limited, Yusen-Higashinonbashi-Ekimae Bldg., 3-7-19
Higashinonbashi, Chuo-ku, Tokyo 103
T +81 3 3663 47 33, mail@neutrik.co.jp

INDIA

Neutrik India Pvt. Ltd., Level 3, Neo Vikram, New Link Road,
Above Audi Show Room, Andheri West, Mumbai, 400053
T +91 982 05 43 424, anklesaria@neutrik.com

USA

Neutrik USA Inc., 4115 Taggart Creek Road,
Charlotte, North Carolina, 28208
T +1 704 972 3050, info@neutrikusa.com

GERMANY / NETHERLANDS / DENMARK / AUSTRIA

Neutrik Vertriebs GmbH, Felix-Wankel-Straße 1,
85221 Dachau, Germany
T +49 8131 28 08 90, neutrik@neutrik.de

FRANCE

Neutrik France SARL, Rue du Parchamp 13,
92100 Boulogne-Billancourt
T +33 1 41 31 67 50, info@neutrik.fr

GREAT BRITAIN

Neutrik (UK) Ltd., Westridge Business Park, Cothey Way Ryde,
Isle of Wight PO33 1 QT
T +44 1983 811 441, sales@neutrik.co.uk

ASSOCIATED COMPANIES

Contrik AG, Steinackerstrasse 35, 8902 Urdorf, Switzerland
T +41 44 736 50 10, contrik@contrik.ch

H. Adam GmbH, Felix-Wankel-Straße 1, 85221 Dachau, Germany
T +49 08131 28 08-0, anfrage@adam-gmbh.de

AUDIO NETWORK SOLUTIONS – Dante – NF26V4 – 2020/06 – Data subject to change without prior notice. © 2020 NEUTRIK®.
NEUTRIK® is a registered trademark of Neutrik AG. ALL RIGHTS RESERVED.



www.neutrik.com