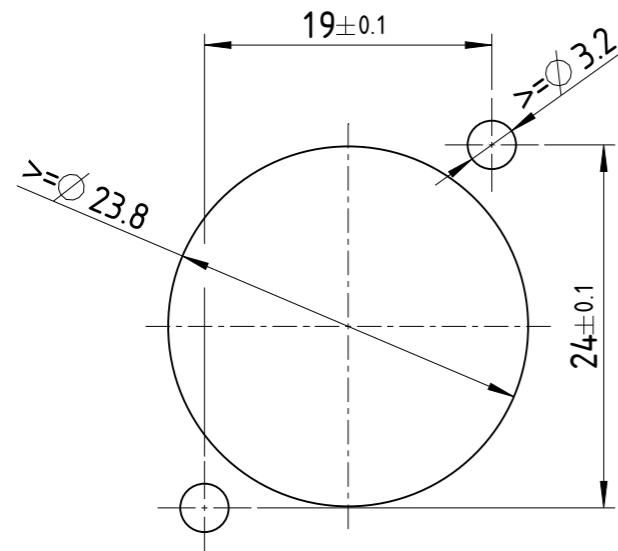
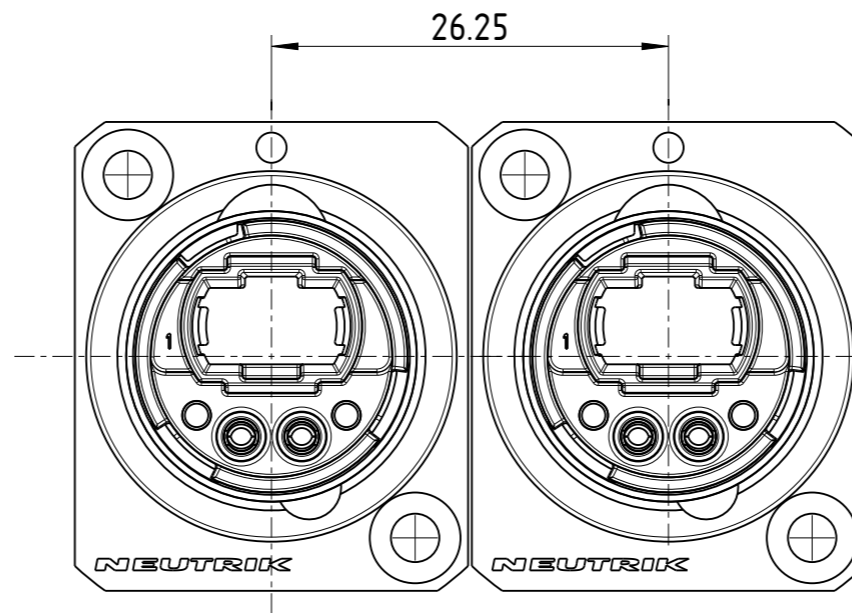


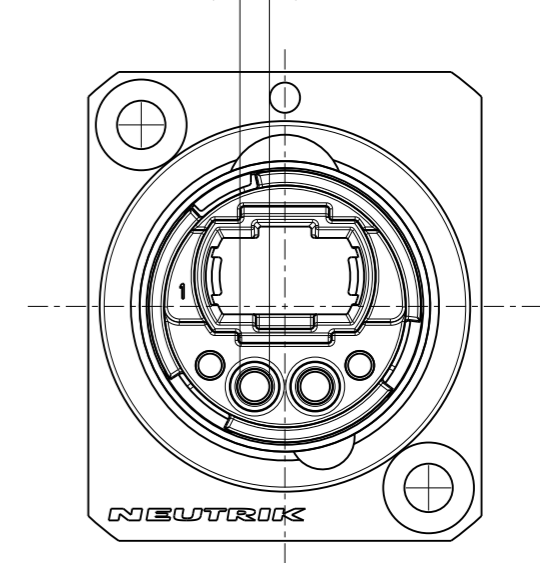
Frontplattenausschnitt Rückseite
Panel cutout rearside



min. Einbauabstand*
min. assembling distance*



AWG 16 (Pos. 1, Pos. 2)



* gilt nur für Standard HYBRID MED NK016M-XP, 50mm werden für bequemes Stecken und Ziehen des Kabelsteckers empfohlen
 * only applies for standard HYBRID MED NK016M-XP, 50mm are recommended for comfortable plug/unplug of cable connector

Sheet Number 1/1	Projection 	Scale 2:1	Format A3	General Tolerancing ISO 2768 mK	
Description			Created on/by	25.02.2020	Mangeng M.
N016FD-XP			Approved on/by	28.11.2023	Schuster R.
			Article ID	Model ID	Drawing ID
Status			Revision	ECN Number	Neutrik Group
Released			-	-	