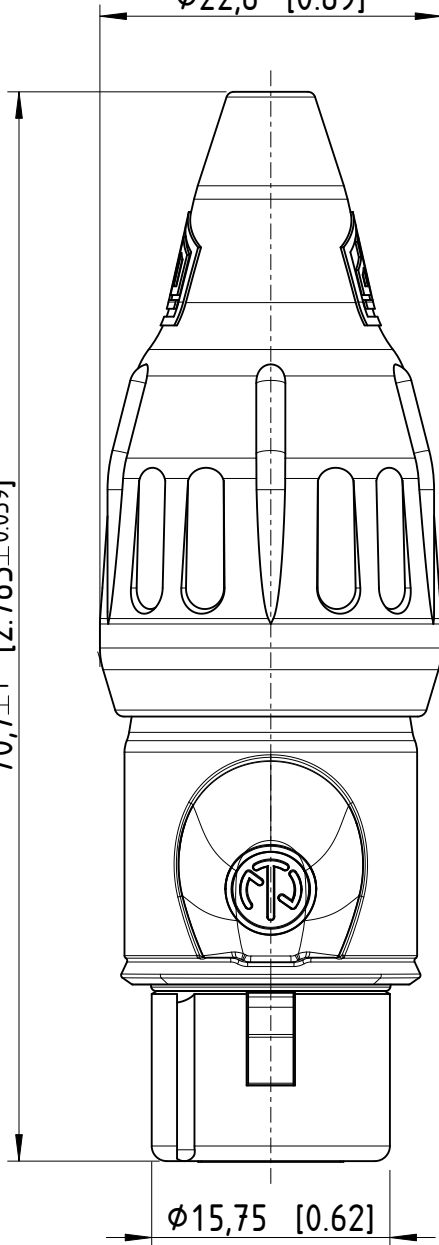


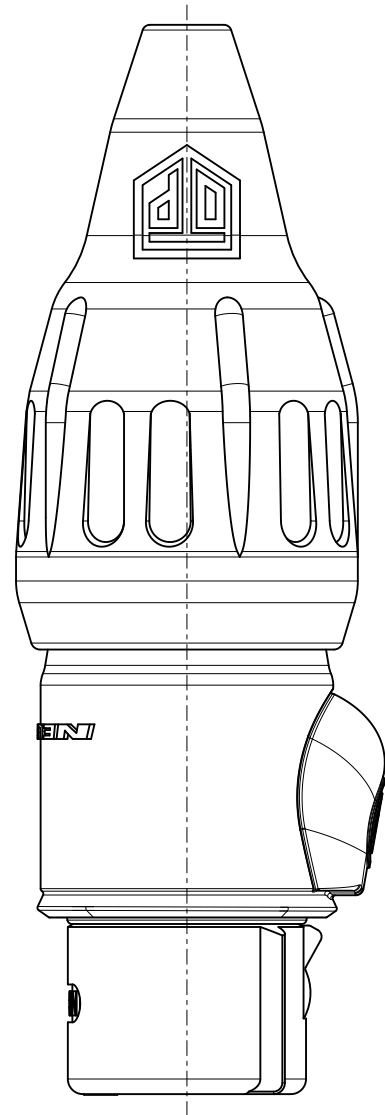
1:1

$\phi 22,6$ [0.89]

$70,7 \pm 1$ [2.783 \pm 0.039]



$\phi 15,75$ [0.62]



Sheet Number 1/1	Projection 	Scale 2:1	Format A4	General Tolerancing ISO 2768 mK	
Description NC5FX-TOP			Created on/by	03.07.2018	Zechmann K.
			Approved on/by	11.11.2022	Karlinger P.
Status Released			Article ID	Model ID	Drawing ID
				30010085	20002735
			Revision	ECN Number	Neutrik Group
			-	-	