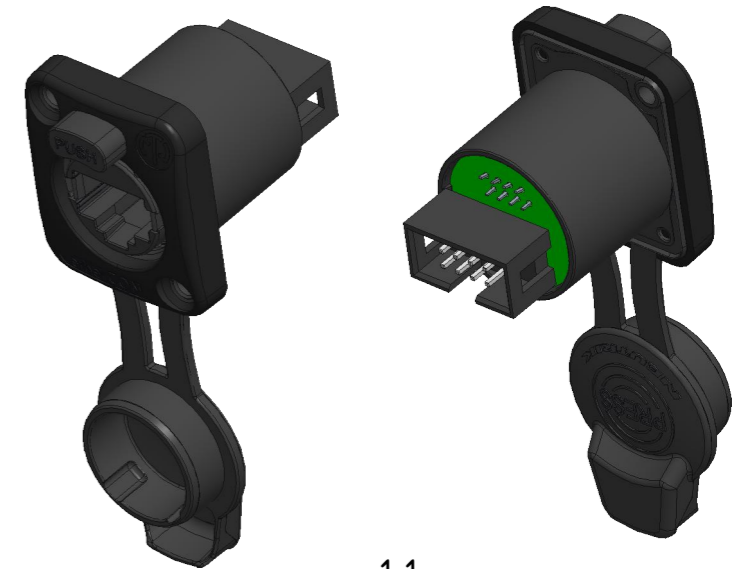
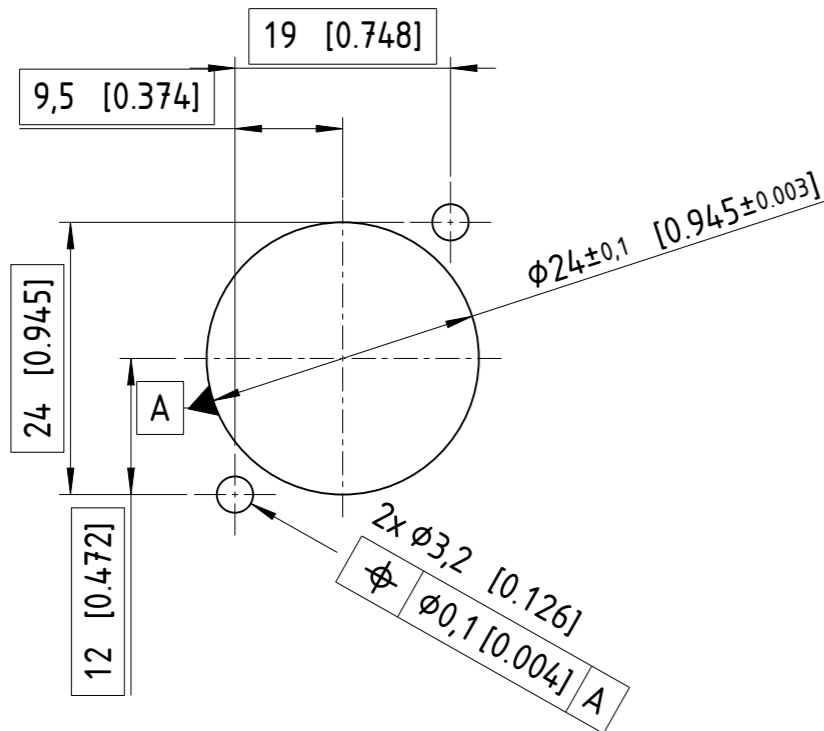


Frontplattenausschnitt (Rückseite)
Panel cut out (rear side)



1:1

Sheet Number 1/1	Projection 	Scale 1.5:1	Format A3	General Tolerancing ISO 2768 mK	
Description			Created on/by	20.02.2023	Mangeng M.
NE8FDIS-TOP			Approved on/by	11.07.2023	Frenzel S.
			Article ID NE8FDIS-TOP	Model ID 30010317	Drawing ID 20004301
Status Released	Revision -	ECN Number -	Neutrik Group		