

# 1 Overview



## User Manual

www.neutrik.com **NEUTRIK**

**Manufacturer: Liechtenstein (Headquarters)**  
 NEUTRIK AG, Im alten Riet 143, 9494 Schaan  
 T +423 237 24 24, F +423 232 53 93, neutrik@neutrik.com

Subject to change due to advances in technology! This user manual corresponds to the level of technology at the time the product was delivered and not the current stage of development at Neutrik. If any pages or sections of this user manual are missing, please contact the manufacturer. If this user manual is lost or damaged, download a copy from the Neutrik's website (www.neutrik.com).

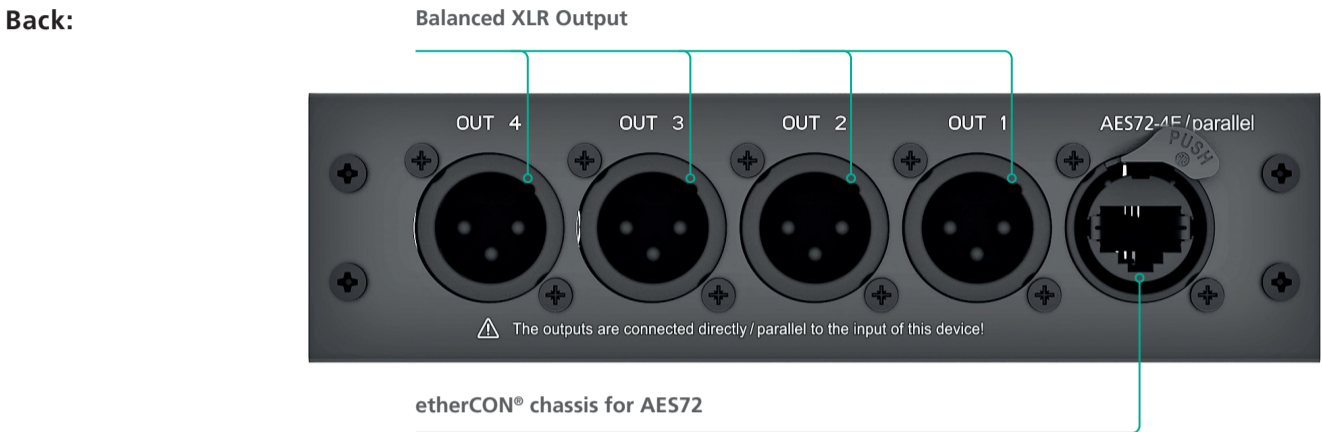
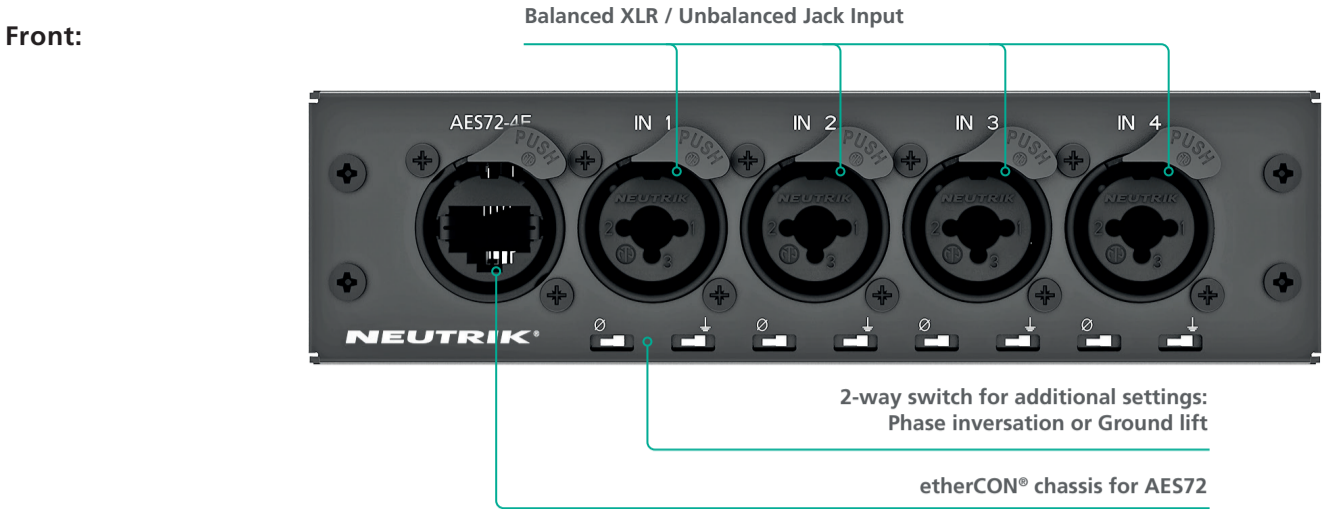
**Copyright**  
 This user manual is protected by copyright. The user manual must not be duplicated, reproduced, microfilmed or translated neither in the form of excerpts nor in full, without the express written authorization of Neutrik. Copyright by: © Neutrik AG

**Read this document before use!**  
 This user manual provides an overview of the operation steps and settings on the product. This user manual is also an integral component of the product and part of the product's safety concept. Make sure that all persons who work with the product have fully read and also understood this user manual. Observe all instructions exactly, especially the safety instructions.

Keep this user manual in the immediate vicinity of the product so personnel have access to it at all times. Pass this user manual on every user, e.g., by lending it, or to the future owner of the product.

**Target group**  
 This user manual is intended for sound engineers, musicians and personnel who have comprehensive experience in sound and event technology.

BDA 663 V2 – AES72 User Manual 2024/02



AES72 is a standard on interconnections of RJ45-type connectors and quad twisted pair cable for professional analogue connections. The NA-4I4O-AES72 is a stage box unit that allows to run four isolated channels of mic level, line level, AES3, DMX and/or com down a single network cable.

It is a modular stage/drop boxes for high-quality snakes with a combination of 4 XLR inputs and 4 XLR outputs at the same device. Due to the two parallel network ports on each device, the NA-AES72 can be used in various applications.

The NA-4I4O-AES72 is AES72-4E compliant.

Pin #	Polarity
1 -	Even = +
1 +	
3 -	
2 +	
2 -	
3 +	
4 -	
4 +	

## Safety

Special warning information regarding potential dangers inherent in a particular action are presented before instructions for an action. The warnings are ranked as follows:

**CAUTION**  
**Potential risk of danger!**  
 This type of warning points out a situation that could result in minor or moderate injuries.  
 ▶ Minor injuries may result if this warning is ignored.

**NOTE**  
**Potential risk of property damage!**  
 This type of warning points out a situation that could result in damage to the device and its components.  
 ▶ Property damage may result if the warning is ignored.

**Warning Symbols**  
 General Warning  Warning hearing damage

**Important safety instructions**  
 Avoid property damage to this device due to unsuitable operating and environmental conditions:  
 • Never immerse in water.  
 • Protect from strong sunlight.  
 • Never install the device near heat sources such as radiators, heating units, ovens or stoves.  
 • To avoid overheating, never cover the device.  
 • Protect the device from impact and above all, from falling from poles, stages, tables or furniture.

**Repair**  
**NOTE**  
**Property damage due to improper repair!**  
 This device does not contain any parts that you can repair yourself. Opening or repairing the device on your own may result in severe damage to the device.  
 ▶ Do not open the housing of the device under any circumstances.  
 ▶ Do not change any parts yourself.  
 ▶ Only have the device repaired by a authorized specialist dealer.

**Information for operation**  
 ▶ Ensure that the ambient conditions specified for device is observed during operation.  
 ▶ Do not use the device if it is not functioning properly, has fallen or been damaged, has become wet or if parts of it have been immersed in water.  
 ▶ If disruptions occur during operation: Immediately disconnect the device.  
 ▶ Do not operate the device in environments where flammable or explosive materials, gases or vapors are present or might occur.

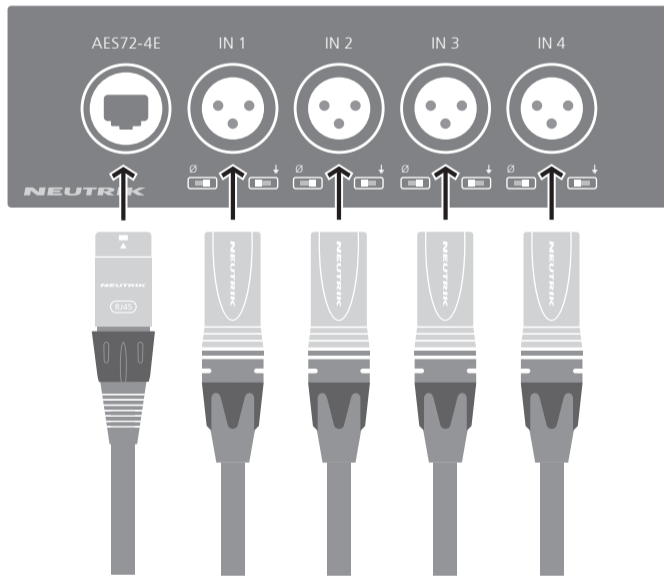
**Intended use**  
 The AES72 is a standard on interconnections of RJ45-type connectors and quad twisted pair cable for professional analogue connections.

**Foreseeable improper use**  
 The AES72 is not suitable for use outdoors and in potentially explosive atmospheres.

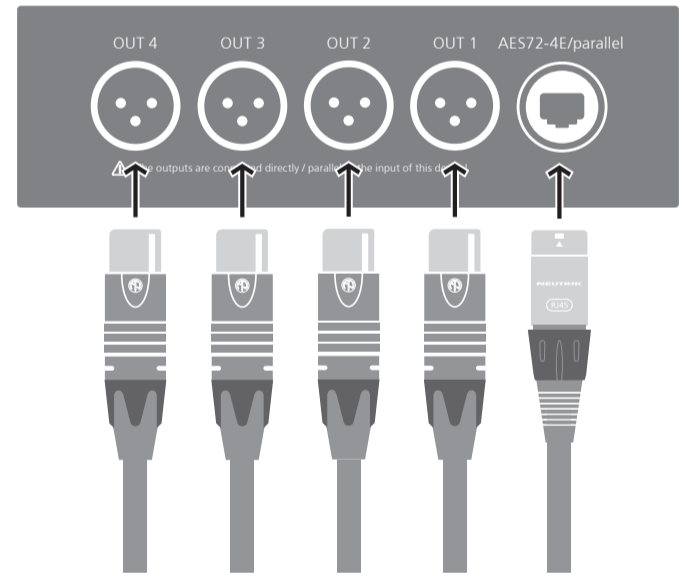
**Symbols**  
 ☑ Preconditions: Complete the items before carrying out the action steps.  
 ▶ Action steps: Carry out the action steps in the order they are presented.  
 ✓ Result of the action or the reaction of the product are depicted with this symbol.  
 • Lists without a mandatory sequence are presented with bullets.

## 2 Operation & Connection Setup

### How to connect – Front



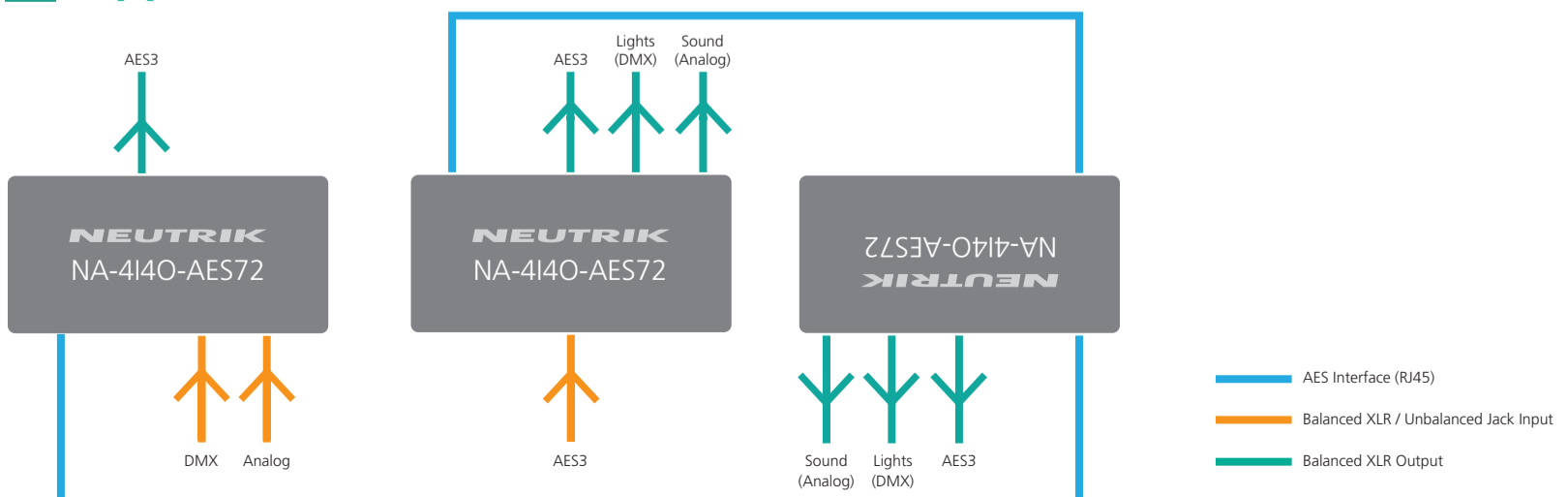
### How to connect – Back



### Activate/deactivate Phase inversion and Ground lift



## 3 Applications



## 4 Components and Accessoires

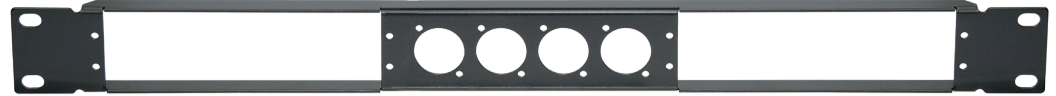


1 Device NA-4140-AES72 - Item-No: NA-4140-AES72

The device and the accessories can be ordered separately.



Trussmount kit (Kit includes 4 cross screws, 4 fixing screws, 2 safety frames, 1 yoke mount) – Item-No: NA-TM-KIT



Rack panel – Item-No: NRP1RU-2A



Removable rubber protection – Item-No: NA-RC



Mounting brackets (Kit includes 2 brackets, 2 fixing screws, 2 torx screws and 2 spacers) – Item-No: NA-MB-KIT

## 5 After operation

### Dismounting devices

- ▶ Disconnect the devices.

### Transporting

- ▶ Always transport devices and accessories in their original packaging.

### Storage

- ▶ If devices are not used for a longer period:
  - ▶ Disconnect the device from the connected devices.
- ▶ Always store devices in a clean, dry location.
- ▶ Always protect devices from dirt, dust, heat, humidity and moisture.

### Cleaning and care

**▲ NOTE**

**Danger of property damage due to improper cleaning!**

- ▶ Disconnect device from all connections before cleaning.
- ▶ Never immerse device or accessory in water under any circumstances.
- ▶ Never spray device or accessory with liquids under any circumstances.

- ▶ Wipe the surfaces of the device and accessory with a soft cloth slightly moistened with a mild soap solution.
- ▶ Never use aggressive, solvent-based or abrasive cleaning agents under any circumstances.
- ▶ Never use rough materials (e.g., cleaning cloths or sponges with a rough coating).

### Maintenance and repair

- ▶ The device does not contain any parts that can be maintained or repaired by the user.
- ▶ Only have the device repaired by a specialist dealer authorized by Neutrik.
- ▶ Check the device regularly for visible damage to the housings, controls, connections, cables and plugs.
- ▶ If damage is detected, do not use device under any circumstances.
- ▶ Immediately decommission the damaged device.
- ▶ Replace defective cables or accessories immediately.

### Disposal

- ▶ Dispose of the device and accessories in accordance with the applicable local regulations.
- ▶ Never dispose of electrical devices or electrical accessories such as cables, plugs, batteries or components with household wastes under any circumstances.

- ▶ Dispose of packaging and packaging elements in accordance with the applicable local regulations.
- ▶ Take device components made of plastic, metal or other recyclables for reclamation in accordance with the applicable local regulations.

## 6 Technical Data

The NEUTRIK AES72 stage box is a small and extremely helpful analog tool for every event and entertainment technician. It comes with 4 universal inputs and outputs that are transmitted together via AES72, i.e. normal network cables, which allows you to transmit mic and line levels, AES3, DMX and other COM signals that are connected via 3 pin XLRs.

General specifications	
Channels	4 Input channels, 4 Output channels, 2 x AES72 (RJ45) channels
Signal compatibility	mic level, line level analog, AES3, DMX, other COM signals
Cable requirement	min. shielded CAT5 cable
Norm	AES72

Mechanical specifications	
Weight	0,42 kg / 0.9259 lbs
Dimensions with rubber protection	L: 164 mm / 6.4 inches W: 82 mm / 3.2 inches H: 51 mm / 2.0 inches
Dimensions without rubber protection	L: 151 mm / 5.9 inches W: 66 mm / 2.6 inches H: 41 mm / 1.6 inches

## ! Warranty

Dear customer!

Thank you for buying a NEUTRIK® product. The Neutrik Group is the leading manufacturer of professional entertainment connector systems for more than 40 years. We trust this product will fulfill your needs and expectations. In case of any product deficiencies please see warranty conditions.

To save costs and avoid delays in making your claims hereunder, contact the Neutrik Distributor of your country. Do not ship the defective product directly to NEUTRIK® AG. To find your nearest Neutrik Representative / Distributor, please visit [www.neutrik.com](http://www.neutrik.com).

### Read this user manual online:

<https://www.neutrik.com/en/support/downloads>



### Online Product Registration:

<https://www.neutrik.com/en/product/na-4140-AES72>



### Bedingungen

- Neutrik gewährt zwei Jahre Garantie ab dem Datum des Verkaufs von fabrikneuen, ungebrauchten Geräten. Diese Garantie erstreckt sich auf Material und Arbeitszeit zur Behebung nachweislicher Material- und Fabrikationsfehler. Der Garantieanspruch erlischt bei unsachgemäßer Handhabung, elektrischer oder mechanischer Beschädigung durch missbräuchliche Anwendung, Schäden infolge höherer Gewalt oder durch Elementarer-eignisse sowie bei unsachgemäßer Reparatur durch nicht autorisierte Werkstätten.
- Vom Garantieanspruch ausgenommen ist die normale Abnutzung von Teilen.
- Bitte kontrollieren Sie das Produkt vor dem ersten Gebrauch!
- Voraussetzung für die Garantieleistung ist die Vorlage der ordnungsgemäß durch den Fachhändler ausgefüllten Garantiekarte bzw. der Kaufrechnung. Sollte Ware auf dem Versandweg zur Garantiereparatur eingereicht werden, liegt das Risiko und Kosten der Zusendung beim Kunden. Die Garantie wird ausschließlich für den ursprünglichen Käufer als Endverbraucher geleistet. Es obliegt Neutrik, zur Garantiereparatur überlassene Ware entweder zu reparieren oder auszutauschen.
- Sollten in Ihrem Land andere, über diese Regelungen hinausgehende, gesetzliche Bestimmungen, in Bezug auf Produkt-Gewährleistungspflicht in Kraft sein, treten diese an die Stelle der hier genannten Konditionen.

### Warranty Conditions

Invalid in the United States of America and Canada.  
See Limited Warranty valid only in the United States and Canada.

- Neutrik warrants Neutrik products against evident defects in material and workmanship for a period of two years from the date of original purchase. This warranty does not cover electrical or mechanical damage resulting from misuse or abuse, lack of reasonable care, damage due to force majeure or natural forces, or inadequate repairs performed by unauthorized service centers.
- Wear of parts due to normal use is not covered by this warranty.
- Please inspect the product before first use!
- Performance of repairs or replacements under this warranty is subject to submission of this warranty card, completed and signed by the dealer on the day of purchase, and the sales slip. Shipment of the defective item for repair under this warranty will be at the customer's own risk and expense. This warranty is valid for the original purchaser as the final user only. Neutrik will, at Neutrik's option, repair or replace items returned for repair under this warranty.
- In some countries, product liability legislation may give you other rights beyond the scope of this warranty card. Where this applies, such rights shall replace the rights and conditions stated in this warranty card.

### Conditions de garantie

- Neutrik accorde une garantie de deux ans à partir de la date de la vente des produits à la sortie de l'usine et n'ayant pas encore été utilisés. Cette garantie porte sur les pièces et les heures de main d'oeuvre nécessaires pour réparer un vice de matière ou de fabrication avéré. La garantie n'est pas due en cas de non respect des prescriptions d'utilisation, de détérioration des parties électriques ou mécaniques due à une utilisation non conforme, ou à un dommage causé par une cause extérieure (tel que force majeure ou autre). La garantie est également caduque si une réparation a été effectuée de façon incorrecte ou par un atelier non autorisé.
- Les pièces d'usure sont exclues de la garantie.
- Veuillez contrôler le produit avant son utilisation!
- Pour toute mise en oeuvre de garantie, vous devez présenter le bulletin de garantie dûment rempli par le revendeur et/ou la facture qui vous a été remise à l'achat. Si l'appareil doit être expédié pour faire effectuer une réparation sous garantie, le risque lié à l'expédition incombe au client. L'acheteur, en tant que consommateur final, pourra seul bénéficier de la garantie. Neutrik® peut décider, à son libre choix, de réparer ou de remplacer les produits qui lui auront été envoyés pour réparation sous garantie.
- Les dispositions stipulées ci-dessus ne sont pas exclusives du bénéfice, au profit de l'acheteur, de la garantie légale pour défaut et vice cachés qui s'applique, en tout état de cause, dans les conditions des articles 1641 et suivants, du Code Civil.

### Condizioni di garanzia

- Neutrik presta garanzia per due anni dalla data della vendita di apparecchi nuovi di fabbrica, non usati. Questa garanzia si estende al materiale e alle ore di lavoro necessari per eliminare difetti di materiale e di fabbricazione comprovati. Il diritto di garanzia si estingue in caso di manipolazione impropria, danneggiamento elettrico o meccanico dovuto all'uso non appropriato, danni causati da forza maggiore o da calamità naturali e in caso di riparazione inesperta eseguita da officine non autorizzate.
- E' esclusa dal diritto di garanzia l'usura normale dei componenti.
- Si prega di controllare il prodotto prima dell'uso! • Presupposto per la prestazione della garanzia è la presentazione della scheda di garanzia debitamente compilata dal rivenditore specializzato e della corrispondente fattura. Se la merce dovesse venir spedita per far effettuare la riparazione in garanzia, la spedizione è a rischio e pericolo del cliente. La garanzia verrà prestata esclusivamente per l'acquirente originale che è consumatore finale. Spetta alla Neutrik la decisione se riparare la merce consegnata per la riparazione in garanzia o se sostituirla.
- Se nel vostro Paese dovessero essere in vigore altre norme di legge relative alla garanzia su prodotti più ampie delle presenti norme, esse sostituiscono le condizioni qui citate.

### Condiciones de garantía

- Neutrik concede dos años de garantía a partir de la fecha de venta de aparatos no usados y nuevos de fábrica. Esta garantía incluye el material y las horas de trabajo para reparar defectos comprobables de material y fabricación. El derecho de garantía caduca en caso de procederse a una manipulación inadecuada, en caso de producirse un daño eléctrico o mecánico por uso indebido, en caso de daños debidos por fuerza mayor o catástrofes naturales, así como también en caso de reparaciones inadecuadas por parte de talleres no autorizados.
- Quedan excluidos del derecho de garantía y el desgaste natural de las piezas.
- S'il vous plait contra fer le produit avant de l'utiliser!
- La prestación de la garantía está sujeta a la presentación de la Tarjeta de Garantía, rellena correctamente por el vendedor autorizado, y de la factura de compra. En caso de procederse al envío de productos para una reparación bajo garantía, el cliente asume el riesgo del envío. La garantía se concede única y exclusivamente al comprador original en su calidad de usuario final. Compete a Neutrik el reparar o recambiar los productos entregados para una reparación bajo garantía.
- Si en su país están en vigor las disposiciones legales que superen estas disposiciones relativas a la garantía sobre productos, se aplicarán éstas en lugar de las condiciones aquí mencionadas.

### Limited Warranty

Valid only in the United States of America and Canada.

- Neutrik warrants Neutrik products against defects in material or workmanship for a period of two years from the date of original purchase for use, and agrees to repair or, at our option, replace any defective unit without charge for either parts or labor.
- **Important:** This Warranty does not cover damage resulting from accident, misuse or abuse, lack of reasonable care, the affixing of any attachment not provided with the product, loss of parts, or connecting the product to any but the specified receptacles.
- Please inspect the product before first use!
- This Warranty is void unless service or repairs are performed by an authorized service center. No responsibility is assumed for any special, incidental or consequential damages. However, the limitation of any right or remedy shall not be effective where such is prohibited or restricted by law.
- Simply take or ship your Neutrik product prepaid to our service department. Be sure to include your sales slip as proof of purchase date.
- **Note:** We will not repair transit damage under the no-charge terms of warranty. No other warranty, written or oral, is authorized by Neutrik.
- Except as specifically set forth above Neutrik makes no warranty or representation regarding products and hereby disclaims all other warranties whether express or implied, including, without limitation, implied warranties regarding merchantability or fitness for a particular purpose. No party shall have any right to recover and indirect, consequential, incidental or special damages, including, without limitation, lost profits, based on the warranties set forth above.

