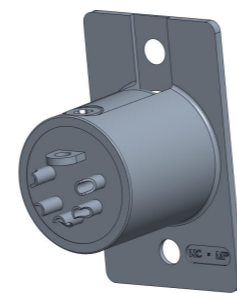
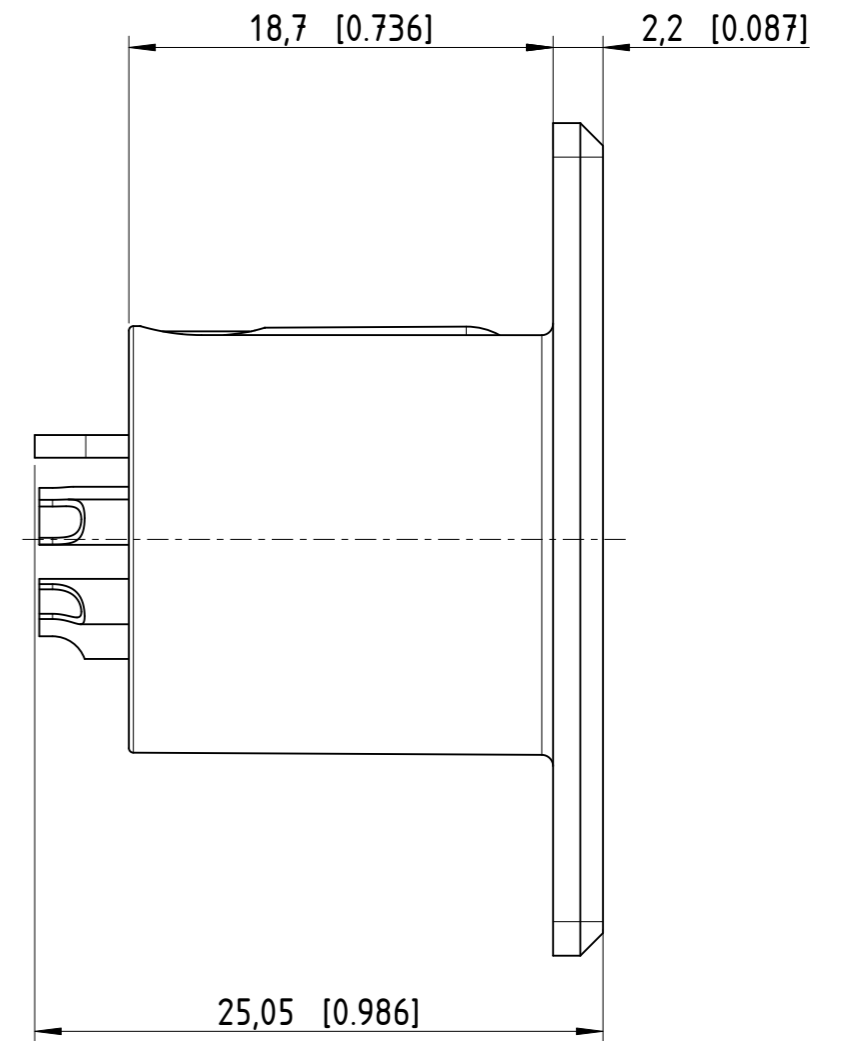
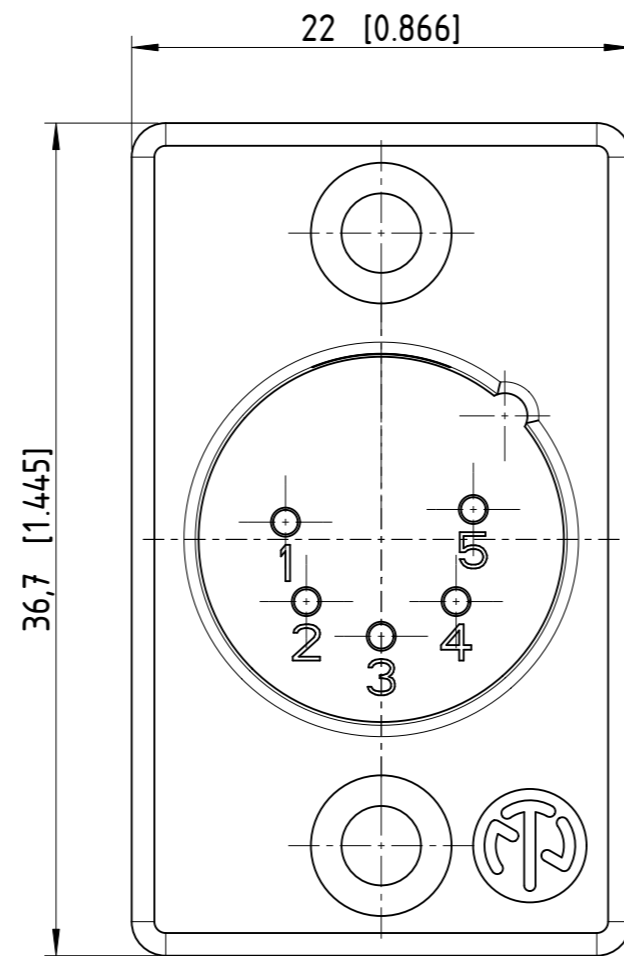
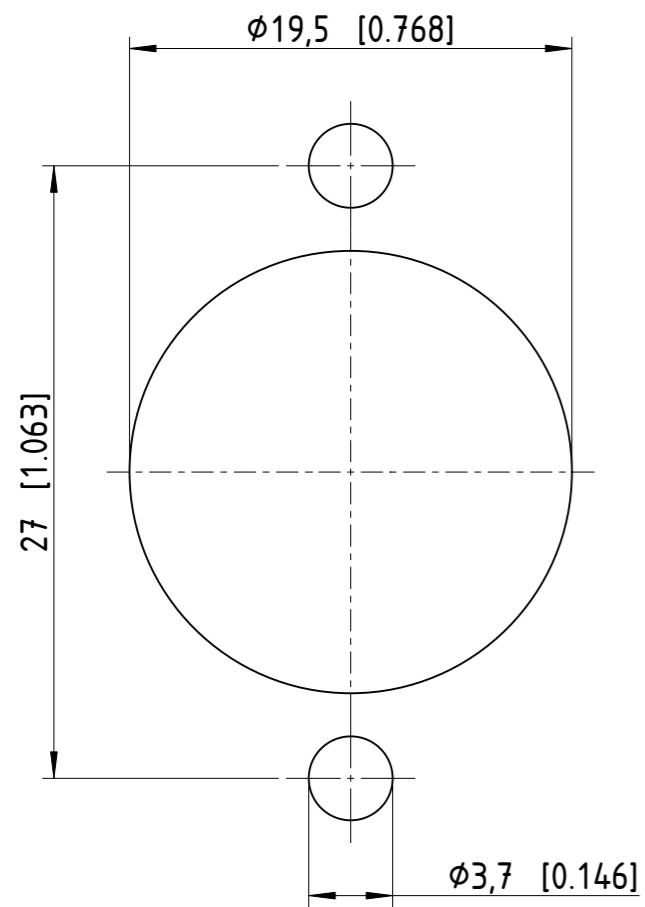


Frontplattenausschnitt (Rückseite)  
Panel cut out (rear side)



1:1



1:1

Sheet Number 1/1	Projection 	Scale 3:1	Format A3	General Tolerancing ISO 2768 mK	
Description			Created on/by	08.11.2022	Feurle E.
NC5MP			Approved on/by	10.11.2022	Karlinger P.
			Article ID	Model ID	Drawing ID
				30010059	20004106
Status	Revision		ECN Number		<b>Neutrik Group</b>
Released	-		-		