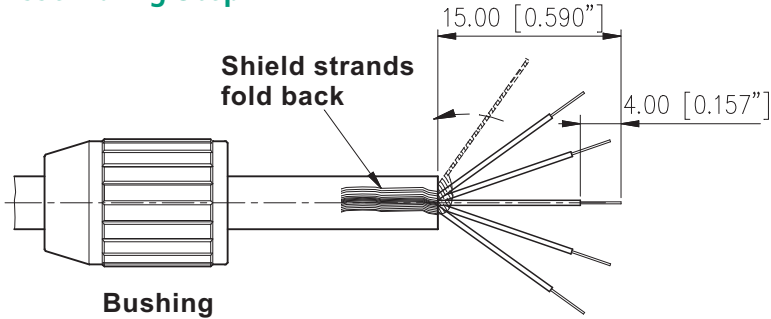




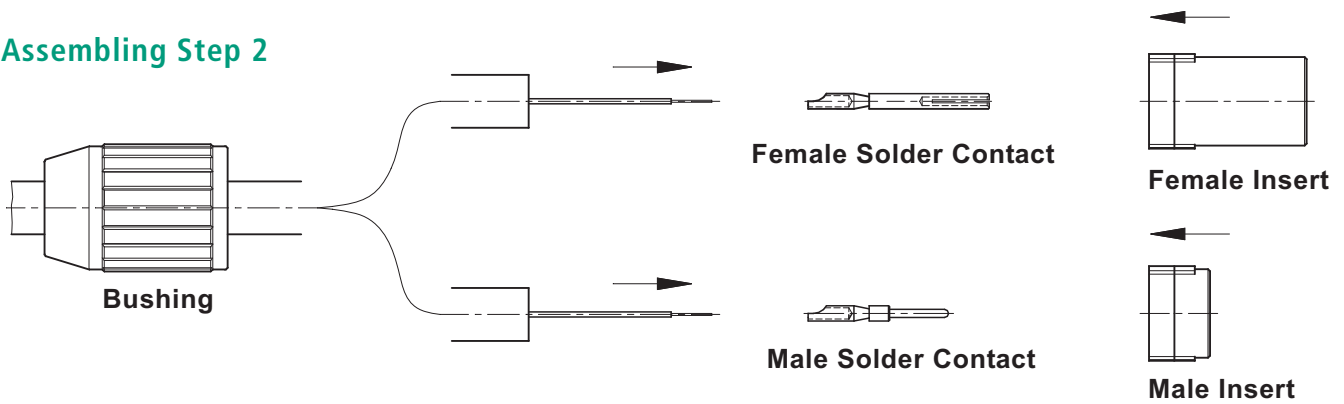
ASSEMBLY INSTRUCTION

miniCON | Cable Preparation

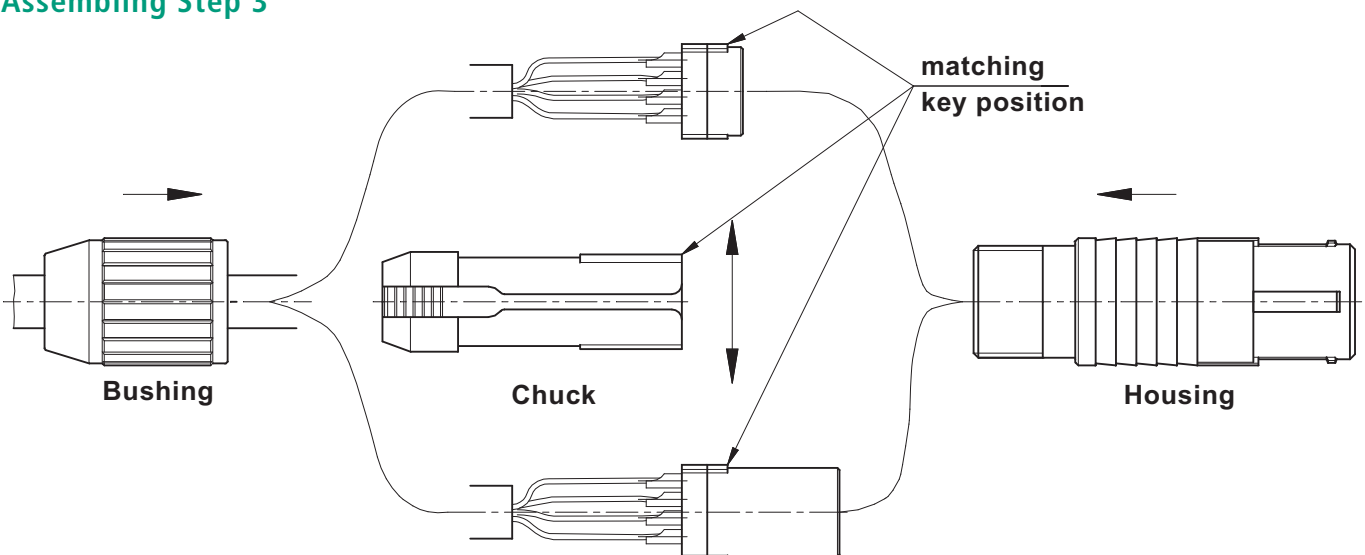
Assembling Step 1



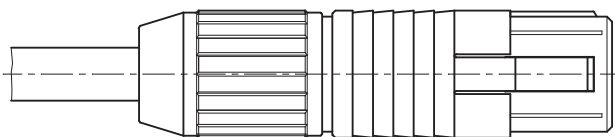
Assembling Step 2



Assembling Step 3



Assembled Connector



NEUTRIK AG LI T: +423 / 237 24 24 F: +423 / 232 53 93
 NEUTRIK Zürich AG CH T: +41 44 / 736 5010 F: +41 44 / 736 5011
 NEUTRIK USA Inc. USA T: +1 732 / 901 9488 F: +1 732 / 901 9608
 NEUTRIK (UK) Ltd. UK T: +44 1983 / 811 441 F: +44 1983 / 811 439

NEUTRIK Vertriebs GmbH DE/NL/AT T: +49 8131 / 280 890 F: +49 8131 / 280 830
 NEUTRIK France FR T: +33 1 / 4131 6750 F: +33 1 / 4131 0511
 NEUTRIK Tokyo Ltd. JP T: +81 3 / 3663 4733 F: +81 3 / 3663 4796
 NEUTRIK Hong Kong Ltd. HK T: +852 / 2687 6055 F: +852 / 2687 6052

Draft. Nr.: 3102M0371 | Update: 29.09.2009 | Data subject to change without prior notice. ©2009 NEUTRIK®. ALL RIGHTS RESERVED.