



OPERATING & ASSEMBLY INSTRUCTION

NAC3PX | powerCON TRUE1

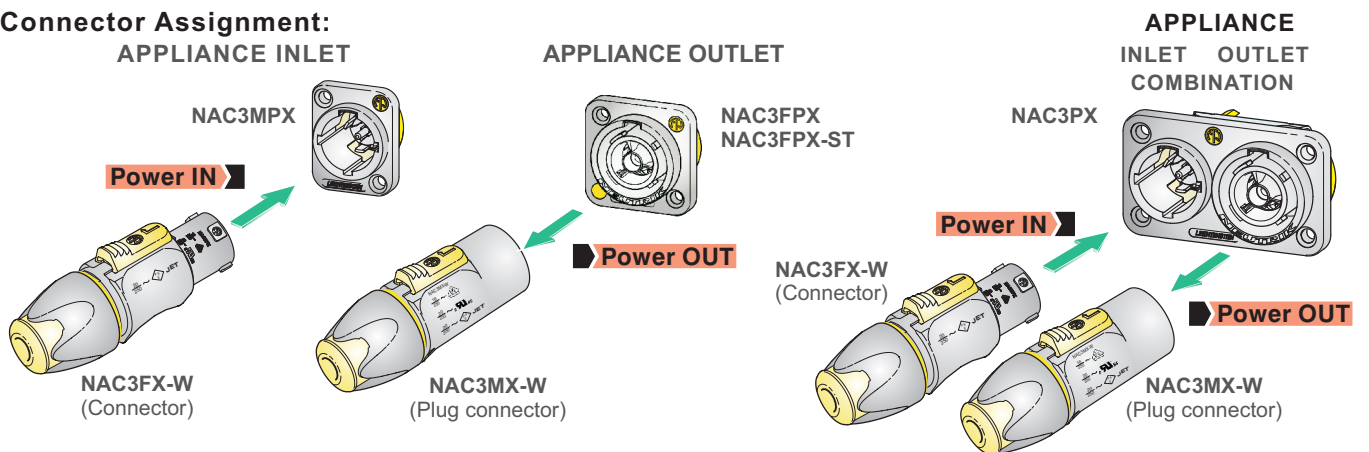
APPLIANCE INLET - OUTLET COMBINATION

OPERATING INSTRUCTION

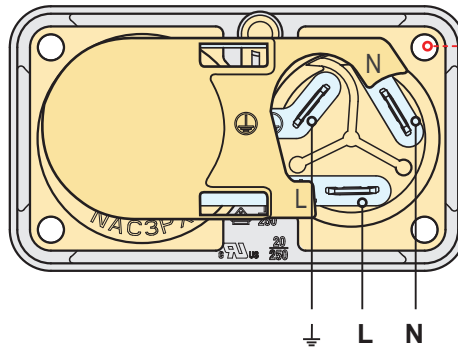
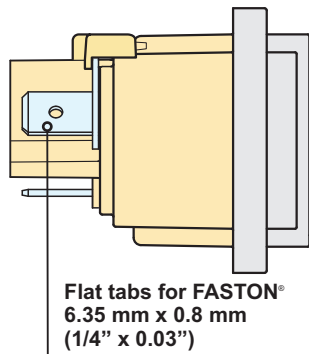
Application:

The powerCON TRUE1 system is certified as connector with breaking capacity according IEC 60320, VDE 0625. It is intended for use as appliance couplers and interconnection couplers. It serves to supply power to an appliance and from an appliance to another equipment. To be installed by qualified person only.

Connector Assignment:

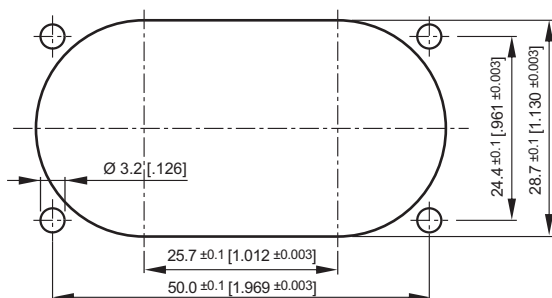


ASSEMBLY INSTRUCTION



Attention:
Maximum allowable torque 0.4 Nm.

Panel Cutout (Rear Side)



Find more details of powerCON TRUE1 on www.neutrik.com.

NEUTRIK AG	LI	T: +423/237 24 24	F: +423/232 53 93	NEUTRIK France	FR	T: +33 1/4131 6750	F: +33 1/4131 0511
NEUTRIK USA Inc.	USA	T: +1 704 / 972 3050	F: +1 704/438 9202	NEUTRIK Tokyo Ltd.	JP	T: +81 3/3663 4733	F: +81 3/3663 4796
NEUTRIK (UK) Ltd.	UK	T: +44 1983 / 811 441	F: +44 1983/811 439	NEUTRIK Hong Kong Ltd.	HK	T: +852/2687 6055	F: +852/2687 6052
NEUTRIK Vertriebs GmbH	DE/NL/AT/DK	T: +49 8131 / 280 890	F: +49 8131/280 830	NEUTRIK India Pvt. Ltd.	IND	T: +91/982 05 43 424	F: +91/22 26163 540

Draft. Nr.: BDA 332 / 3102M2011 | Update: 13.04.2015 | Data subject to change without prior notice. ©2015 NEUTRIK®. ALL RIGHTS RESERVED. NEUTRIK® are registered trademark.