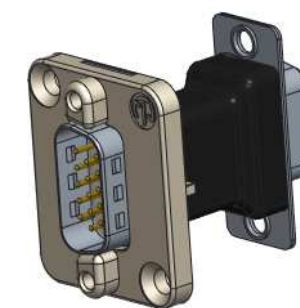
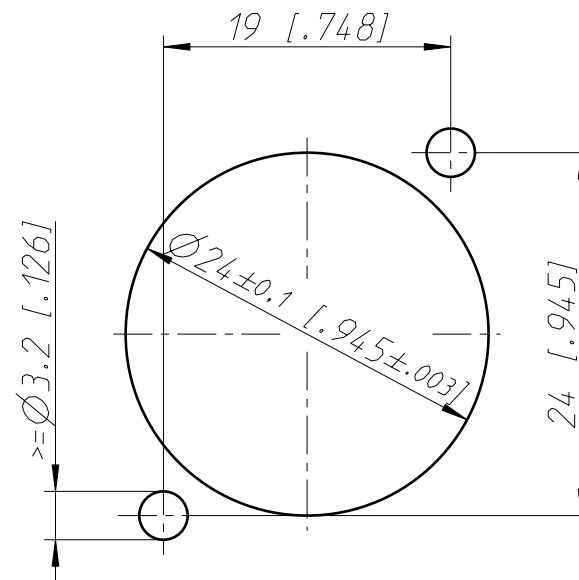
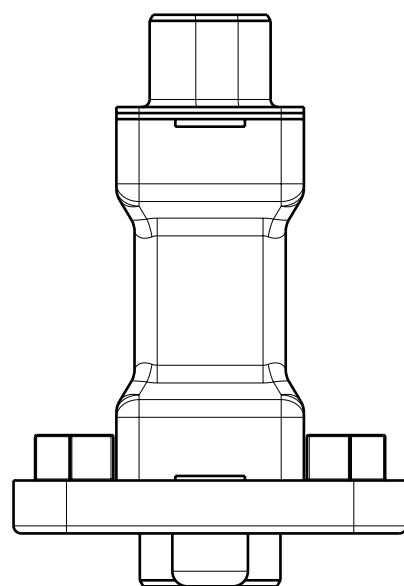


Frontplattenausschnitt (Rueckseite)
Panel cut out (rear side)



1:1

Refer to protection notice ISO 16016.	Scale 2:1 (A3)	Drawn	Date 07.08.14	Name Karlinger
Name D-SUB NADB15MF		Modified	-	-
		Change-No.	Sheet-No. 1 / 1	Index -
Replacement for:		Drawing-No. ST-NADB15MF		
NEUTRIK				